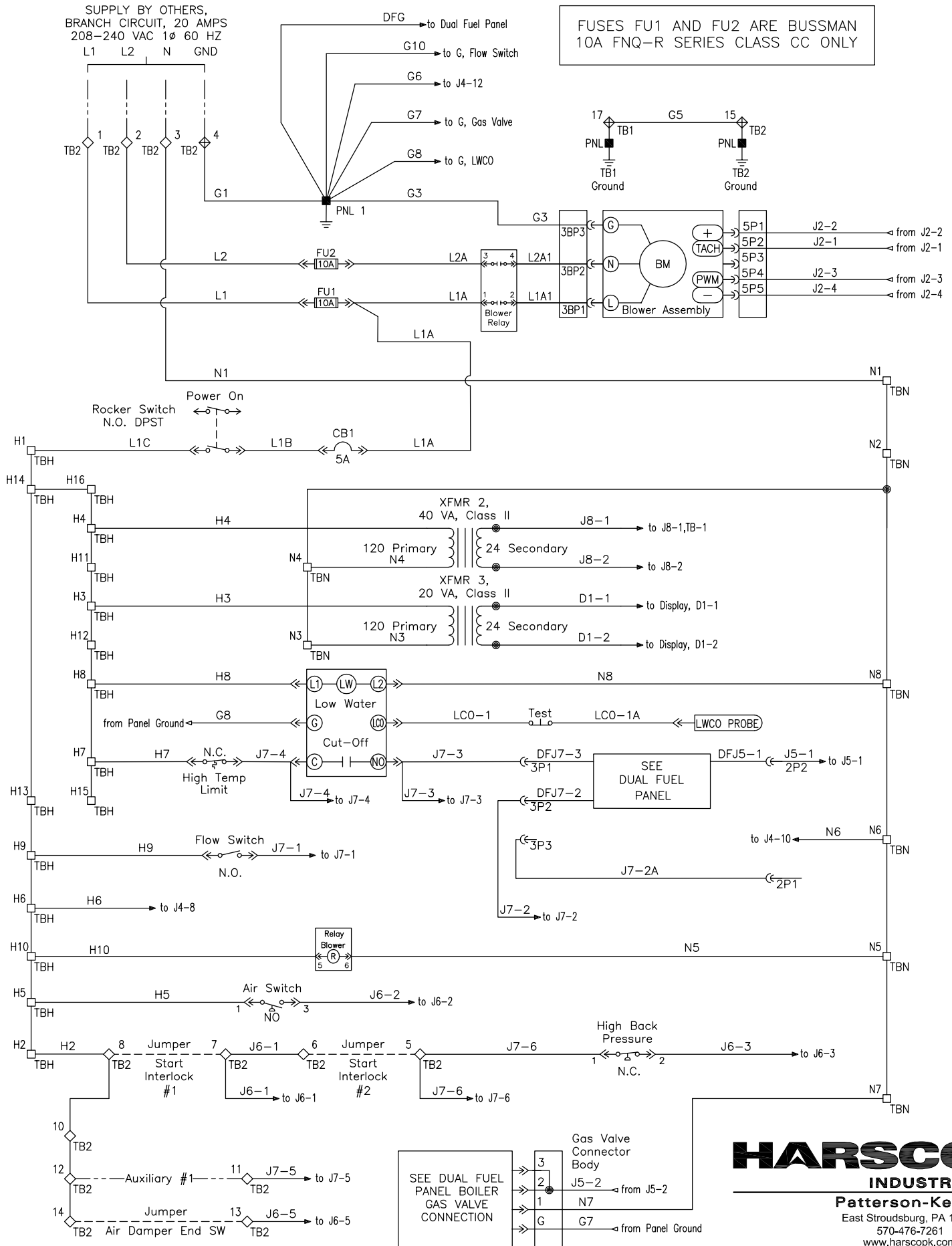


SUPPLY BY OTHERS,  
BRANCH CIRCUIT, 20 AMPS  
208-240 VAC 1Ø 60 HZ

FUSES FU1 AND FU2 ARE BUSSMAN  
10A FNQ-R SERIES CLASS CC ONLY

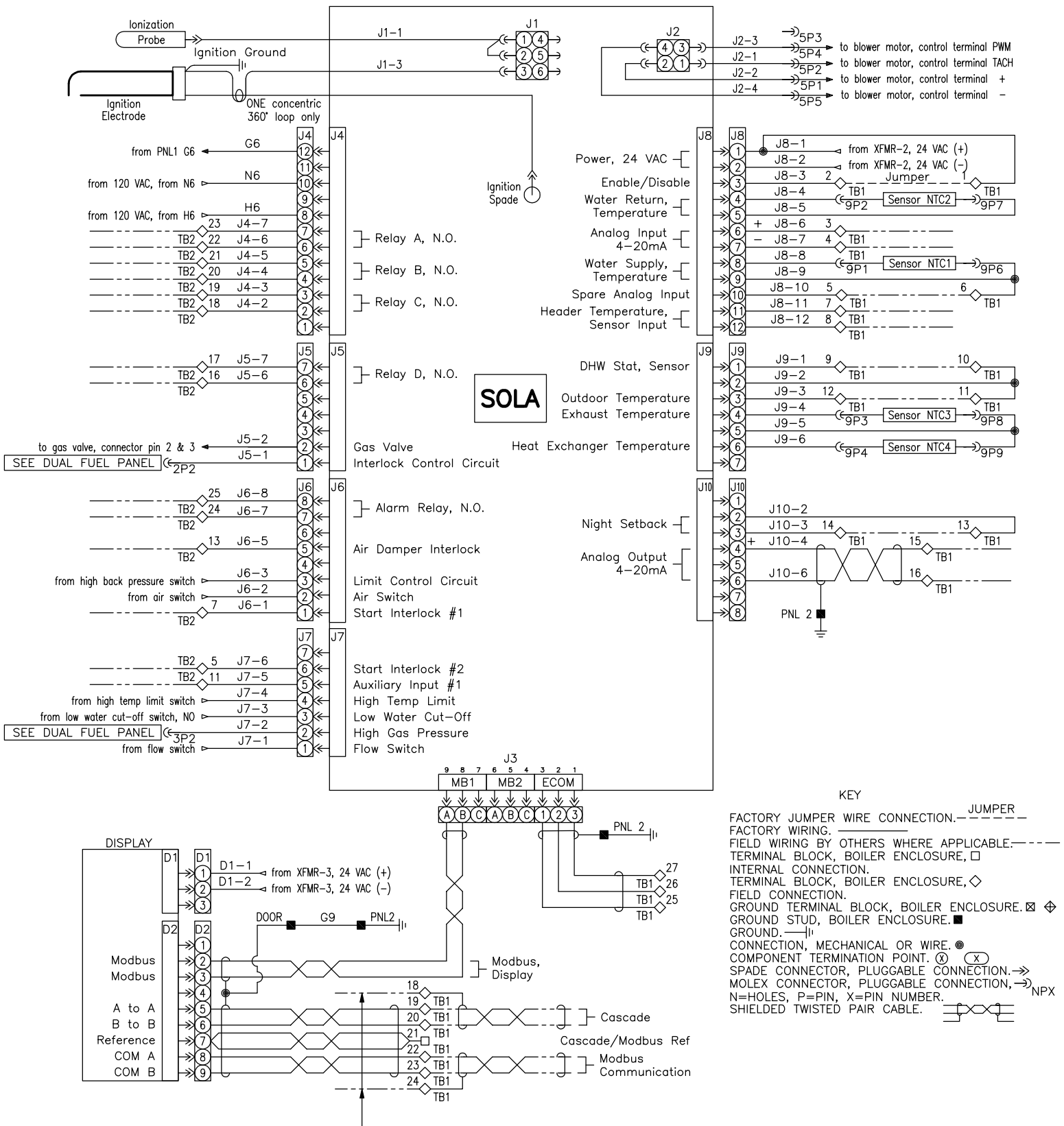


**HARSCO**  
INDUSTRIAL  
Patterson-Kelley  
East Stroudsburg, PA 18301  
570-476-7261  
www.harscopk.com

IF ANY OF THE ORIGINAL WIRE SUPPLIED WITH THIS BOILER MUST BE REPLACED, IT MUST BE REPLACED WITH THE SAME UL WIRE TYPE.

SC1500 - SC2000 / 208-240 VOLT  
DUAL FUEL - NURO® Control

2671000104 (1)  
REV. B



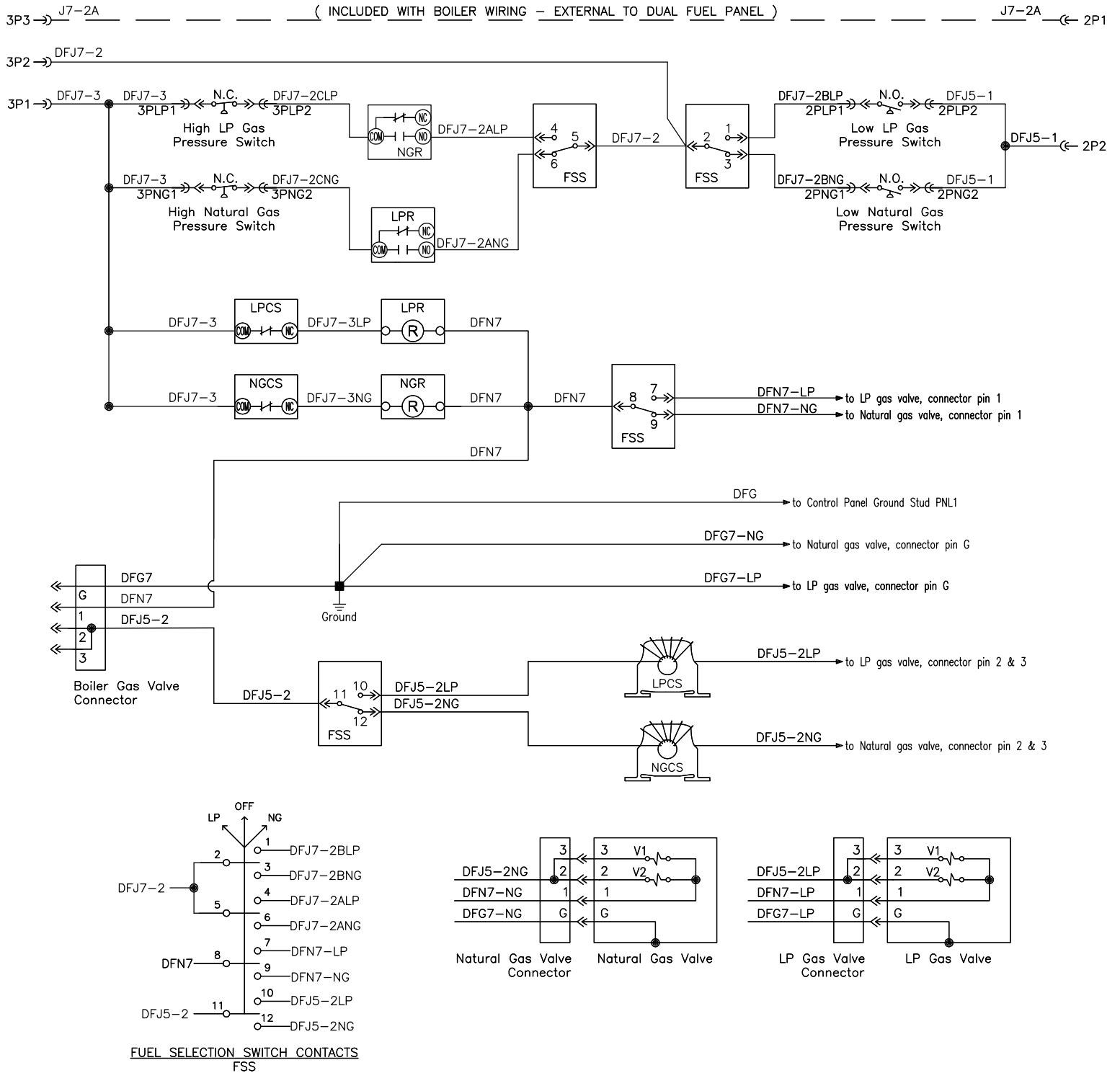
NOTE: Modbus and or Cascade field wiring must utilize twisted pair shielded cable. For multi boiler installations, JUMPER the field Modbus and or Cascade shield connection " TB1-18 and or TB1-24" to PNL ground in Master boiler TB1 terminal box. Do not ground shield to any other boiler or piece of equipment. Shield should be continuous from beginning to end with a ground connection in the master boiler only.

**HARSCO**  
**INDUSTRIAL**  
**Patterson-Kelley**  
 East Stroudsburg, PA 18301  
 570-476-7261  
 www.harscopk.com

IF ANY OF THE ORIGINAL WIRE SUPPLIED WITH THIS BOILER MUST BE REPLACED, IT MUST BE REPLACED WITH THE SAME UL WIRE TYPE.

**SC1500 - SC2000 / 208-240 VOLT**  
**DUAL FUEL - NURO® Control**

**2671000104 (2)**  
**REV. B**



## DUAL FUEL PANEL

**HARSCO**  
**INDUSTRIAL**  
**Patterson-Kelley**  
 East Stroudsburg, PA 18301  
 570-476-7261  
 www.harscopk.com

IF ANY OF THE ORIGINAL WIRE SUPPLIED WITH THIS BOILER MUST BE REPLACED, IT MUST BE REPLACED WITH THE SAME UL WIRE TYPE.

SC1500 - SC2000 / 208-240 VOLT  
 DUAL FUEL - NURO® Control

2671000104 (3)  
 REV. B