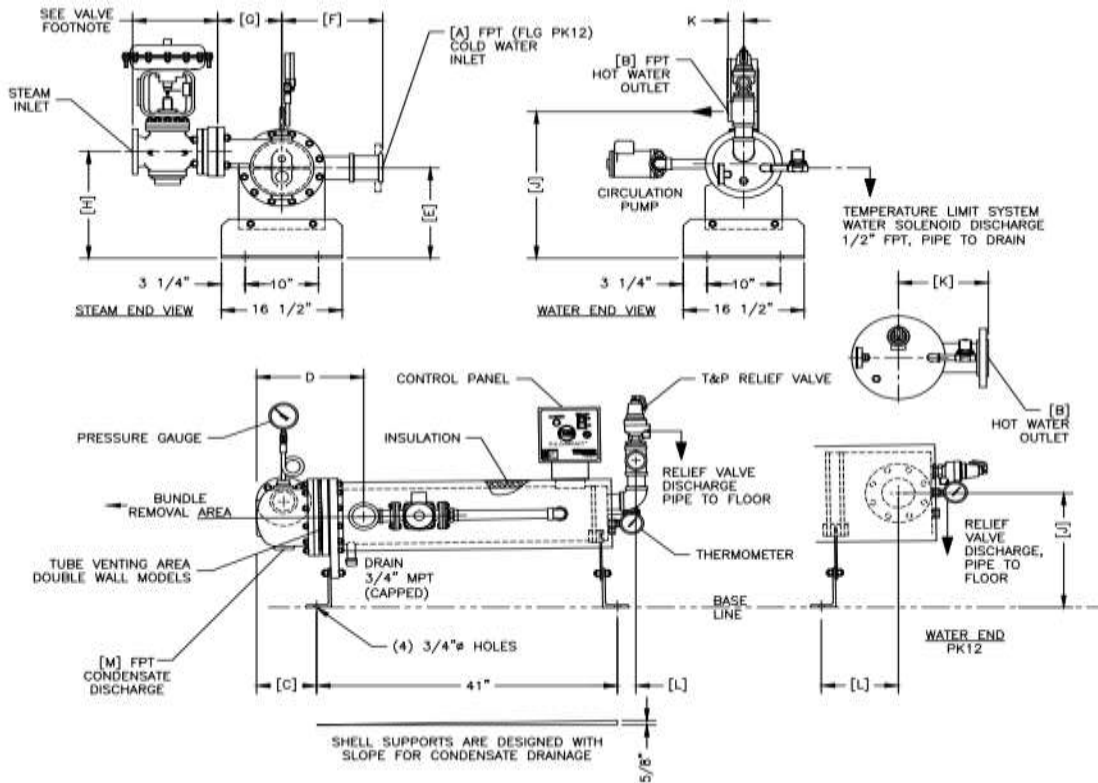


P-K COMPACT®

MODELS PK06, PK08, PK10 & PK12 (DOUBLE AND SINGLE WALL)
HORIZONTAL STEAM TO WATER



MODEL NUMBER	A	B	C	D	E	F	G	H	J	K	L	M
PK06H	2	1 1/2	7 3/4	13 1/2	14	12	8	15 3/4	22	2 3/4	4 1/2	1 1/2
PK08H	3	2	8 1/4	14 3/4	14	13 3/4	8 3/4	16 1/2	22 1/2	3 1/8	4	1 1/2
PK10H	3	2 1/2	10 3/4	17 1/2	15	14 3/4	12	18	24 3/4	3 1/8	4 1/2	2
PK12H	5	4	12 1/2	20	17	18	11 1/4	20 1/4	17 5/8	12 1/4	17 1/4	2

Notes: **Maximum Operating Pressure: 150PSI** **Dimensions in inches** **Rough-in dimensions Only**
Seismic Support Stand Available

- PK12 units Inlet and Outlet connections are ANSI 150# Flanged.
- Valve dimensions vary with size and type of valve required. See Valve Information for actual length.
- Pressure only relief valve shipped loose and must be installed by contractor in the field as shown.
- A pneumatic valve is shown. Electric valves are also available.

CW Inlet Temperature: _____
 HW Outlet Temperature: _____
 HW Flow Rate GPM: _____
 Inlet Steam Pressure: _____
 Steam Flow Lb/hr: _____
 Rep: _____
 Phone Number: _____
 Email: _____
 Job Name: _____

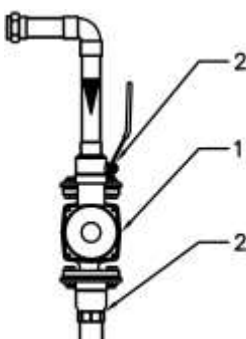
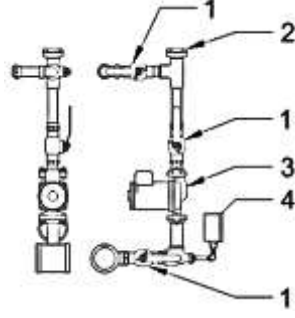
COMPONENTS		<input type="checkbox"/>	SINGLE WALL	<input type="checkbox"/>	DOUBLE WALL
	SUPPORT STAND	<input type="checkbox"/>	STANDARD		
		<input type="checkbox"/>	SEISMIC (OPTIONAL)		
	SHELLSIDE	<input type="checkbox"/>	SB-171-706 (COPPER-NICKEL)		
TUBESIDE	TUBES	<input type="checkbox"/>	SB-75-C12200 COPPER		
		<input type="checkbox"/>	SB-171-706 COPPER NICKEL		
		<input type="checkbox"/>	316SS (316SS BUNDLE ONLY)		
	TUBESHEET (INNER)	<input type="checkbox"/>	SB-171-464 NAVAL BRASS (STANDARD)		
		<input type="checkbox"/>	SB-171-706 COPPER NICKEL		
		<input type="checkbox"/>	316SS (316SS BUNDLE ONLY)		
TUBESHEET (OUTER)	<input type="checkbox"/>	N/A	<input type="checkbox"/>	CARBON STEEL	
BONNET	<input type="checkbox"/>	CAST IRON			

*316SS available in SINGLE WALL Only

P-K COMPACT®



MODELS PK06, PK08, PK10 & PK12 (DOUBLE AND SINGLE WALL)
HORIZONTAL STEAM TO WATER



Pump					
Standard Pump			NY Trim		
<input type="checkbox"/> 	Number	Part		Number	Part
	1	B&G Pump – PL30-B		1	Ball Valve
	2	Isolation Flange		2	Venturi Tee
	Standard pump configuration consists of the pump and isolation flanges for easy pump maintenance. Pump assists with heat transfer, and prevention of scale build-up on tube bundle.			3	B&G Pump
			NY Trim Application allows the use of the COMPACT Recirculation pump to take place of the Building Recirculation pump with the use of the venturi tee. 3 pump sizes are available for different building pressure drop.		
			Pump Selection		
			<input type="checkbox"/>	B&G Pump – PL30-B	
			<input type="checkbox"/>	B&G Pump – PL36-B	
			<input type="checkbox"/>	B&G Pump – PL50-B	

Control Valve													
Valve Type		1"		1 ½"		2"		2 ½"		3"		4"	
		<input type="checkbox"/>	<input type="checkbox"/>	<input type="checkbox"/>	<input type="checkbox"/>	<input type="checkbox"/>	<input type="checkbox"/>	<input type="checkbox"/>	<input type="checkbox"/>	<input type="checkbox"/>	<input type="checkbox"/>		
<input type="checkbox"/>	Electric	Manufacturer	Siemens				Watson McDaniel						
		Model	MVF461H				HB Series		CV Series				
		Flange to Flange	6.3"	7.87"	9.06"	10.88"	12.52"	14.49"					
<input type="checkbox"/>	Pneumatic	Manufacturer	Watson McDaniel										
		Model	HB Series				CV Series						
		Flange to Flange	4.5"	5"	6"	10.88"	12.52"	14.49"					
<input type="checkbox"/>	Self Contained	Manufacturer	Watson McDaniel										
		Model	HD Series										
		Flange to Flange	7"	8.75"	10.875"	11.75"	13.25"	14.75"					

Pilot Valve and Controller Submittals			
<input type="checkbox"/>	Electric	Type-J Thermocouple with LOVE Controller	<input type="checkbox"/> Control Panel: Standard Control Panel <input type="checkbox"/> Control Panel: Standard Control Panel with Alarm Relay <input type="checkbox"/> Control Panel: Standard Control Panel with Alarm Relay, Horn, & Silencing Switch <input type="checkbox"/> Control Panel: Electronic Control Panel with BACnet (Electric Only)
<input type="checkbox"/>	Pneumatic	Accritem Pneumatic Temperature Controller	
<input type="checkbox"/>	Self-Contained	Watson McDaniel P RTP Temperature Controller	

Relief Valve							
SIZE		Pressure Only BTU/HR CAPACITY		SIZE		Temperature & Pressure BTU/HR CAPACITY	
<input type="checkbox"/>	3/4"	1,817,000		<input type="checkbox"/>	3/4"	1,912,000	
<input type="checkbox"/>	1"	2,858,000		<input type="checkbox"/>	1"	3,625,000	
<input type="checkbox"/>	1 1/2"	7,322,000		<input type="checkbox"/>	1 1/2"	6,050,000	