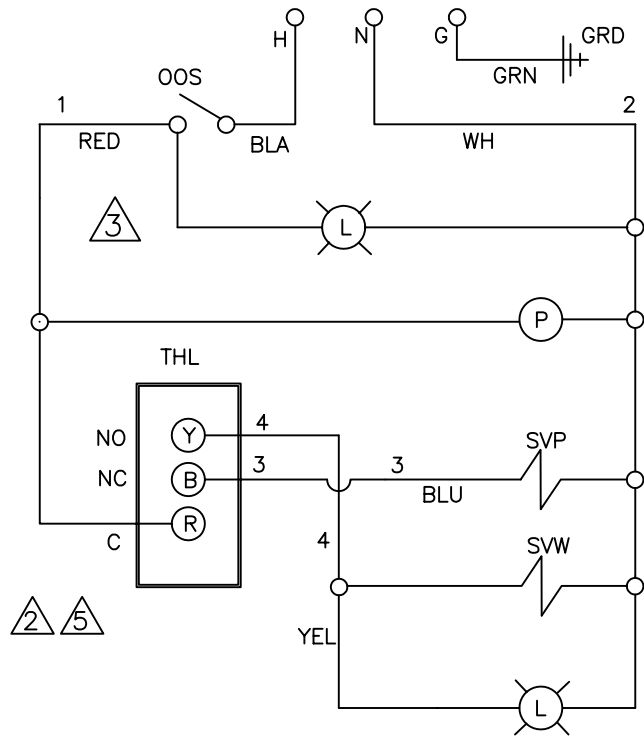
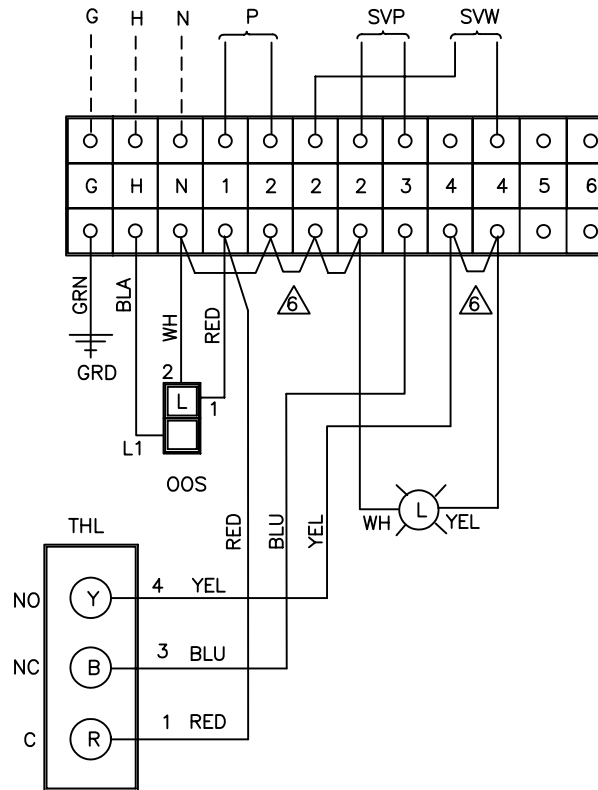


120V / 1PH / 60HZ



CONTROL LOGIC DIAGRAM



ABBREVIATIONS:

- G.....GROUND
- H.....POWER, HOT
- N.....NEUTRAL
- LLIGHT, POWER ON, HI-TEMP.
- P.....PUMP
- THL.....THERMOSTAT, HIGH LIMIT
- SVP.....SOLENOID VALVE, PILOT
- SVW.....SOLENOID VALVE, WATER
- NC.....NORMALLY CLOSED
- NO.....NORMALLY OPEN
- C.....COMMON
- OOS.....ON-OFF SWITCH

WIRING DIAGRAM

- 1.) DOUBLE SOLENOID SYSTEM
- 2.) SOLID LINES: FACTORY WIRING
- 3.) DOTTED LINES: FIELD WIRING

VERSION #1

FOR MODULE #8651001010
DWG. NO. WAS B-92676

W1

6	JUMPERS FOR #2 & #4 WERE ON OPPOSITE SIDE ECN #284	H.	JH	7-2-03
5	REVISED WIRING TO THL PER ECN # 2982	GRM	JOHN	3-5-98
4	WIRE COLOR WAS BLUE, ECN #1381	RLP	JOHN	4-18-96
3	REVISE WIRE AT OOS	RLP	JOHN	8-1-95
2	REVISE CONN'S AT THL	RLP	JOHN	1-31-95
1	PER NEW ENGINEERING STANDARDS	DCL	JOHN	5-23-94
REV.	DESCRIPTION	BY	CK'D.	DATE

ASME CODE	DESIGN PRESSURE	TYPE X-RAY			APPROX. WEIGHT LBS.
YES	NO	NONE	SPOT	FULL	N/A
	X				

TITLE		CONTROL LOGIC & WIRING DIAG. COMPACT/STANDARD			
THIS DRAWING, INFORMATION AND THE SUBJECT MATTER THEREOF, ARE THE SOLE AND EXCLUSIVE PROPERTY OF PATTERSON-KELLEY CO, HARSCO CORPORATION, EAST STROUDSBURG, PA. IT MAY BE REPRODUCED BY THE PURCHASER OF THIS EQUIPMENT FOR THEIR INTERNAL USE ONLY. IT CANNOT BE DISTRIBUTED TO ANY OTHER FIRM OR PARTY WITHOUT WRITTEN CONSENT FROM OUR COMPANY.					
Patterson-Kelley HarSCO East Stroudsburg, PA 18301 570-421-7500 www.pskelco.com					
	BY	DATE	FILE SIZE	REFERENCE NO.	
DRAWN	RLP	7/21/93			
CHECKED	JH	6/2/94			
APPROVED			B		
PRINT NO.	1000092676			REV.	5