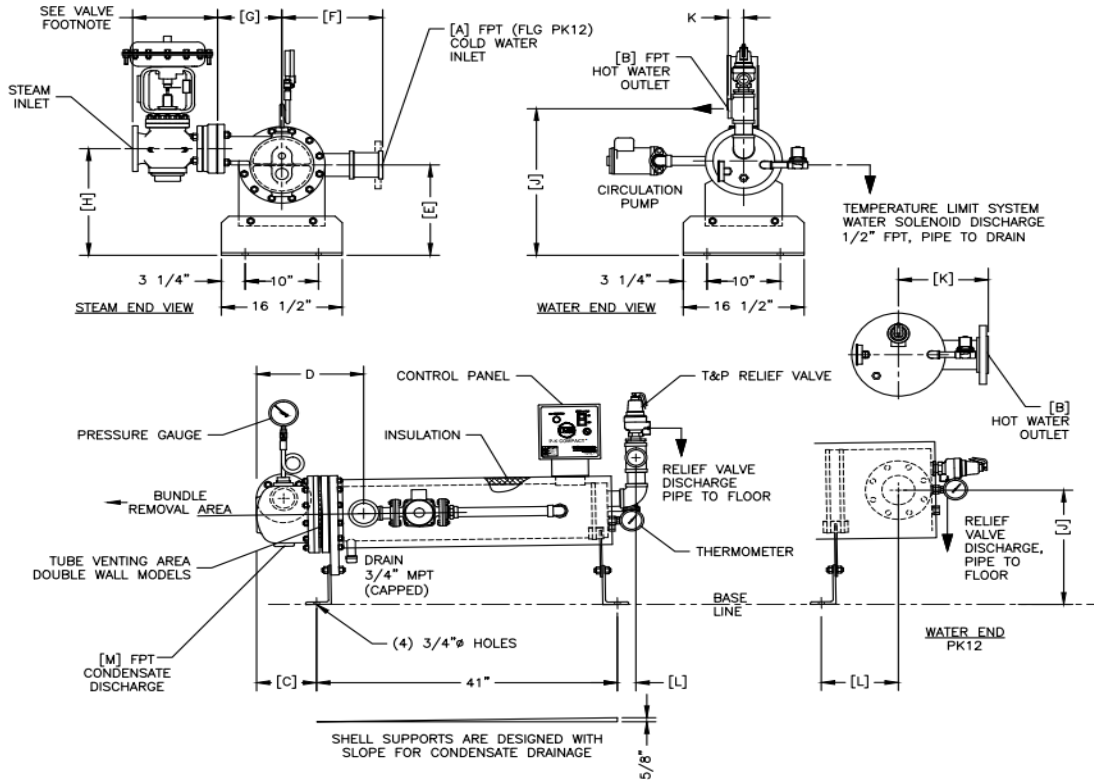


P-K COMPACT®

MODELS PK06, PK08, PK10 & PK12 (DOUBLE AND SINGLE WALL)
HORIZONTAL STEAM TO WATER



Patterson-Kelley



MODEL NUMBER	A	B	C	D	E	F	G	H	J	K	L	M
PK06H	2	1 1/2	7 3/4	13 1/2	14	12	8	15 3/4	22	2 3/4	4 1/2	1 1/2
PK08H	3	2	8 1/4	14 3/4	14	13 3/4	8 3/4	16 1/2	22 1/2	3 1/8	4	1 1/2
PK10H	3	2 1/2	10 3/4	17 1/2	15	14 3/4	12	18	24 3/4	3 1/8	4 1/2	2
PK12H	5	4	12 1/2	20	17	18	11 1/4	20 1/4	17 5/8	12 1/4	17 1/4	2

Notes: **Maximum Operating Pressure: 150PSI** **Dimensions in inches** **Rough-in dimensions Only**
Seismic Support Stand Available

- PK12 units Inlet and Outlet connections are ANSI 150# Flanged.
- Valve dimensions vary with size and type of valve required. See Valve Information for actual length.
- Pressure only relief valve shipped loose and must be installed by contractor in the field as shown.
- A pneumatic valve is shown. Electric valves are also available.

CW Inlet Temperature: _____
 HW Outlet Temperature: _____
 HW Flow Rate GPM: _____
 Inlet Steam Pressure: _____
 Steam Flow Lb/hr: _____
 Rep: _____
 Phone Number: _____
 Email: _____
 Job Name: _____

COMPONENTS		<input type="checkbox"/> SINGLE WALL	<input type="checkbox"/> DOUBLE WALL
SUPPORT STAND		<input type="checkbox"/>	<input type="checkbox"/> STANDARD
		<input type="checkbox"/>	<input type="checkbox"/> SEISMIC (OPTIONAL)
SHELLSIDE		<input type="checkbox"/>	<input type="checkbox"/> SB-171-706 (COPPER-NICKEL)
TUBESIDE	TUBES	<input type="checkbox"/>	<input type="checkbox"/> SB-75-C12200 COPPER
		<input type="checkbox"/>	<input type="checkbox"/> SB-171-464 COPPER NICKEL
		<input type="checkbox"/>	<input type="checkbox"/> 316SS (316SS BUNDLE ONLY)
	TUBESHEET (INNER)	<input type="checkbox"/>	<input type="checkbox"/> SB-171-706 COPPER NICKEL
		<input type="checkbox"/>	<input type="checkbox"/> SB-171-464 NAVAL BRASS
		<input type="checkbox"/>	<input type="checkbox"/> 316SS (316SS BUNDLE ONLY)
TUBESHEET (OUTER)	<input type="checkbox"/>	<input type="checkbox"/> N/A <input type="checkbox"/> CARBON STEEL	
BONNET	<input type="checkbox"/>	<input type="checkbox"/> CAST IRON	

*316SS available in SINGLE WALL Only

P-K COMPACT®

MODELS PK06, PK08, PK10 & PK12 (DOUBLE AND SINGLE WALL)
HORIZONTAL STEAM TO WATER



Patterson-Kelley

Pump

Standard Pump		NY Trim			
	Number	Part		Number	Part
	1	B&G Pump – PL30-B		1	Ball Valve
	2	Isolation Flange		2	Venturi Tee
	Standard pump configuration consists of the pump and isolation flanges for easy pump maintenance. Pump assists with heat transfer, and prevention of scale build-up on tube bundle.			3	B&G Pump
		Pump Selection		4	Pressure Gauge
		<input type="checkbox"/> B&G Pump – PL30-B <input type="checkbox"/> B&G Pump – PL36-B <input type="checkbox"/> B&G Pump – PL50-B		NY Trim Application allows the use of the COMPACT Recirculation pump to take place of the Building Recirculation pump with the use of the venturi tee. 3 pump sizes are available for different building pressure drop.	

Control Valve

Valve Type		1"	1 1/2"	2"	2 1/2"	3"	4"
		<input type="checkbox"/>	<input type="checkbox"/>	<input type="checkbox"/>	<input type="checkbox"/>	<input type="checkbox"/>	<input type="checkbox"/>
<input type="checkbox"/>	Electric	Manufacturer	Siemens			Watson McDaniel	
		Model	MVF461H			HB Series	CV Series
		Flange to Flange	6.3"	7.87"	9.06"	10.88"	12.52"
<input type="checkbox"/>	Pneumatic	Manufacturer	Watson McDaniel				
		Model	HB Series			CV Series	
		Flange to Flange	4.5"	5"	6"	10.88"	12.52"
<input type="checkbox"/>	Self Contained	Manufacturer	Watson McDaniel				
		Model	HD Series				
		Flange to Flange	7"	8.75"	10.875"	11.75"	13.25"

Pilot Valve and Controller Submittals

<input type="checkbox"/>	Electric	Type-J Thermocouple with LOVE Controller	<input type="checkbox"/> Control Panel: Standard Control Panel <input type="checkbox"/> Control Panel: Standard Control Panel with Alarm Relay <input type="checkbox"/> Control Panel: Standard Control Panel with Alarm Relay, Horn, & Silencing Switch <input type="checkbox"/> Control Panel: Electronic Control Panel with BACnet (Electric Only)
<input type="checkbox"/>	Pneumatic	Accritem Pneumatic Temperature Controller	
<input type="checkbox"/>	Self-Contained	Watson McDaniel PRTP Temperature Controller	

Relief Valve

SIZE	Pressure Only			SIZE	Temperature & Pressure		
	BTU/HR CAPACITY				BTU/HR CAPACITY		
<input type="checkbox"/> 3/4"	1,817,000			<input type="checkbox"/> 3/4"	1,912,000		
<input type="checkbox"/> 1"	2,858,000			<input type="checkbox"/> 1"	3,625,000		
<input type="checkbox"/> 1 1/2"	7,322,000			<input type="checkbox"/> 1 1/2"	6,050,000		