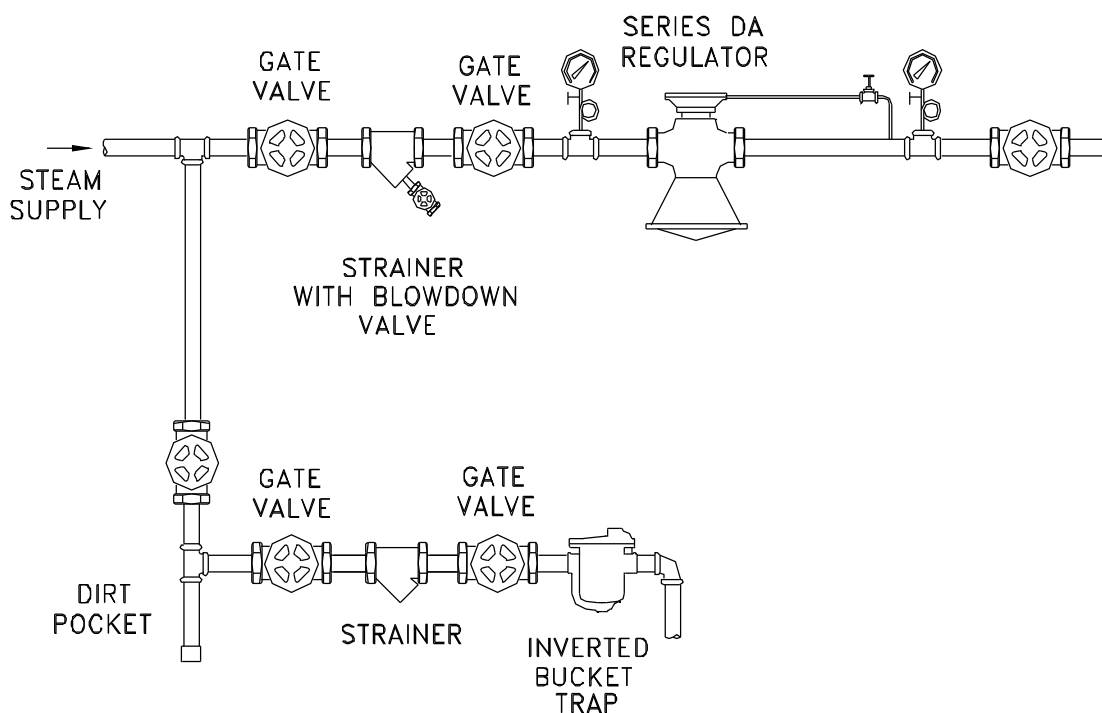
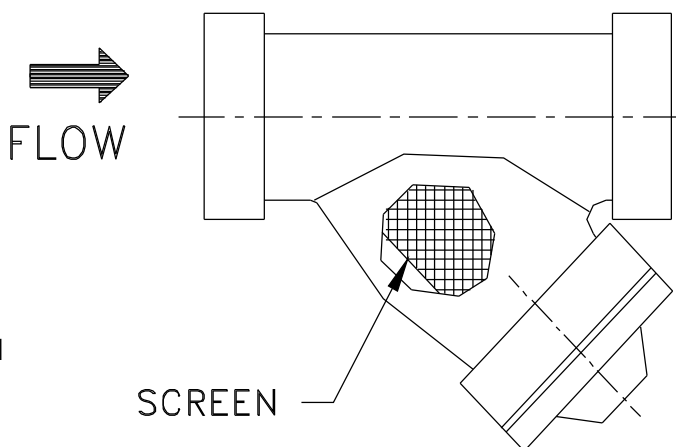


### TYPICAL APPLICATIONS

Y-Strainers are used to strain dirt particles from fluid in pipe lines and provide inexpensive protection for costly pumps, meters, valves, traps, turbines and compressors.

### INSTALLATION

The strainer should be installed with the flow direction as indicated on the body in either a vertical down or horizontal pipeline. The strainer must be accessible for periodic cleaning. A blow down valve mounted to the drain port will allow clean-out without removal of the screen, and without interrupting the process flow.



### TYPICAL APPLICATIONS

Each Watson McDaniel Company Product is warranted against defects in material and workmanship for one year from date of shipment. This warranty extends to the first retail purchaser only. All defective material must be returned to the person from whom you purchased the Product, transportation prepaid, free of any liens or encumbrances, and if found to be defective will be repaired free of charge or replaced, at the warrantor's or seller's option. If the material is replaced, any replacement will be invoiced in the usual manner and after inspection of alleged defective material an adjustment will be made for depreciation caused by purchaser's use. In no event will Watson McDaniel Company be liable to do more than refund the original contract price. Incidental and consequential damages are excluded, whether under this warranty or otherwise. All implied warranties, including warranties of merchantability and fitness for a particular purpose, are disclaimed and excluded.