



**Patterson-Kelley**  
**HARSCO**

# Instructions

NURO Conversion Instructions  
MACH C3000-C4000

1005101728

ENVI to NURO

Date: 12/27/2017

Revision A

## NOTICE!

Each safety device must be maintained and checked per the recommended schedule. Refer to Section 6 in the O&M Manual for more information.

## SAFETY FEATURES

It is the responsibility of the customer to ensure external safety provisions, such as but not limited to: guards, safety labels, safety controls, interlocks, lockout devices are in place and operable.

## SAFETY LABELS

The following words are used in this manual to denote the degree of seriousness of the individual hazards.

## DANGER

*Indicates an imminently hazardous situation which, if not avoided, will result in death or serious injury. This signal word is to be limited to the most extreme situations.*

## WARNING

Indicates a potentially hazardous situation which, if not avoided, could result in death or serious injury.

## CAUTION

Indicates a potentially hazardous situation which, if not avoided, may result in minor or moderate injury. It may also be used to alert against unsafe practices.

## NOTICE/NOTE - NOTICE

Is the preferred signal word to address practices not related to personal injury. The safety alert symbol is not used with this signal word.



**Patterson-Kelley**  
**HARSCO**

# Instructions

NURO Conversion Instructions  
MACH C3000-C4000

1005101728  
ENVI to NURO  
Date: 12/27/2017  
Revision A

## **WARNING**

If the information in these instructions are not followed, fire or explosion may result causing property damage, personal injury, or loss of life.

## **WARNING**

It is essential to read, understand, and follow the recommendations of these instructions before installing, operating or servicing this equipment. Failure to do so could result in personal injury or death.

## **WARNING**

Installation and service must be performed by a qualified and knowledgeable individual who has been certified on the P-K MACH® boiler. The features which permit this boiler to achieve high-efficiency performance can be misused which could result in personal injury or death.

## **WARNING**

Lockout/tagout procedure must be employed when servicing this unit. Failure to do so could result in electrocution, injury, or death.

## **WARNING**

Label all wires prior to disconnection when servicing controls. Wiring errors can cause improper and dangerous operation.

## **WARNING**

Use care when reassembling main gas line and ensure all connections are tight. Use a leak detector to check for leaks before and after servicing any component of the gas piping. Failure to do so could result in injury or death.

## **WARNING**

Use care when servicing boiler to prevent the accumulation of gas in or around the combustion chamber. Pockets of accumulated gas are subject to combustion and/or explosion which could result in injury or death.

## **WARNING**

Installation must be in strict conformance to all applicable codes and standards including NFPA 54, ANSI Z223.1 and CAN/CSA B.149.

## **AVERTISSEMENT**

Une installation, un réglage, un changement ou un entretien inappropriés peuvent causer des dommages matériels, des blessures corporelles ou la mort.

Lire et bien comprendre le Manuel d'installation et du propriétaire fourni avec cette chaudière. L'installation et le service doivent être effectués par un personnel expérimenté et compétent qui a reçu une formation sur la chaudière de cette série.



## **WARNING**

Improper installation, adjustment, alteration, service, or maintenance can cause property damage, personal injury or loss of life.

Read and understand the installation and Owner's manual provided with this boiler. Installation and service must be performed by experienced and knowledgeable personnel who have been trained on this series boiler.



**Patterson-Kelley**  
**HARSCO**

# Instructions

NURO Conversion Instructions  
MACH C3000-C4000

1005101728  
ENVI to NURO  
Date: 12/27/2017  
Revision A

## TOOLS Required

- Phillips Head Screwdriver
- Drill and Drill Bit Set
- Adjustable Wrench
- Set of Nut Drivers SAE
- Torx set SAE
- Multimeter
- Gas Analyzer

## CAUTION

Wire runs and devices connected to the Air Damper Interlock, Auxiliary Input, or Start Interlocks MUST be rated for 120 VAC.

NOTE: Analog input for the NURO controller must be 4-20mA.

NOTE: DHW Flow switch terminals are not available.

NOTE: If Cascading multiple appliances, convert all to NURO controls for ideal operation.

NOTE: If using a Protocol Converter or MODBUS, contact the factory for support.

1. Lock out Tag out all electrical connections and gas supply to appliance. There may be multiple power sources.
2. Remove top and bottom side panels.



**Patterson-Kelley**  
**HARSCO**

# Instructions

NURO Conversion Instructions  
MACH C3000-C4000

1005101728

ENVI to NURO

Date: 12/27/2017

Revision A

3. Remove front top door by removing 7/16" bolt shown in figure 1. Before removing bolt make sure front bottom door is locked shut. Once top door is removed, tighten bracket to hold bottom front door on.

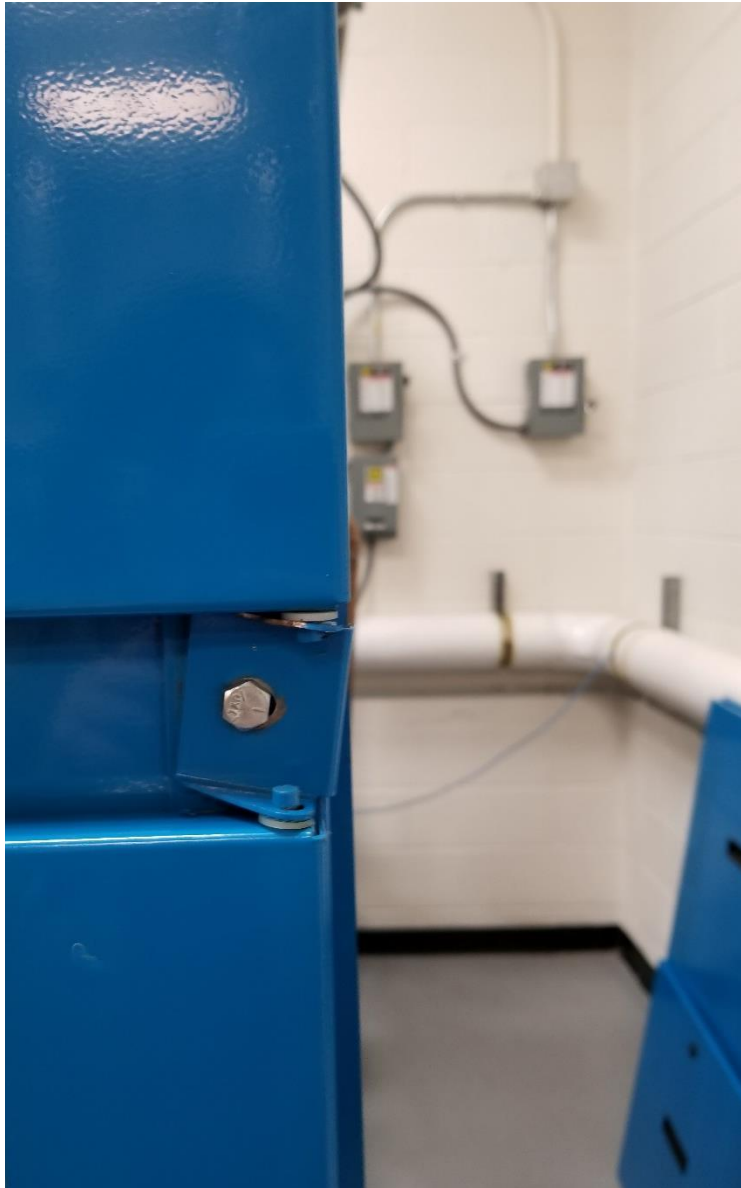


Figure 1

4. Remove terminal block covers. Identify and label all current field wiring on boiler when disconnecting.
5. Disconnect all wires from internal safety devices and sensors. Take note to wire colors for sensors as new panel will use same colors for sensor wires.



**Patterson-Kelley**  
**HARSCO**

# Instructions

NURO Conversion Instructions  
MACH C3000-C4000

1005101728

ENVI to NURO

Date: 12/27/2017

Revision A

6. Make sure to disconnect 120V plug shown in figure 2.

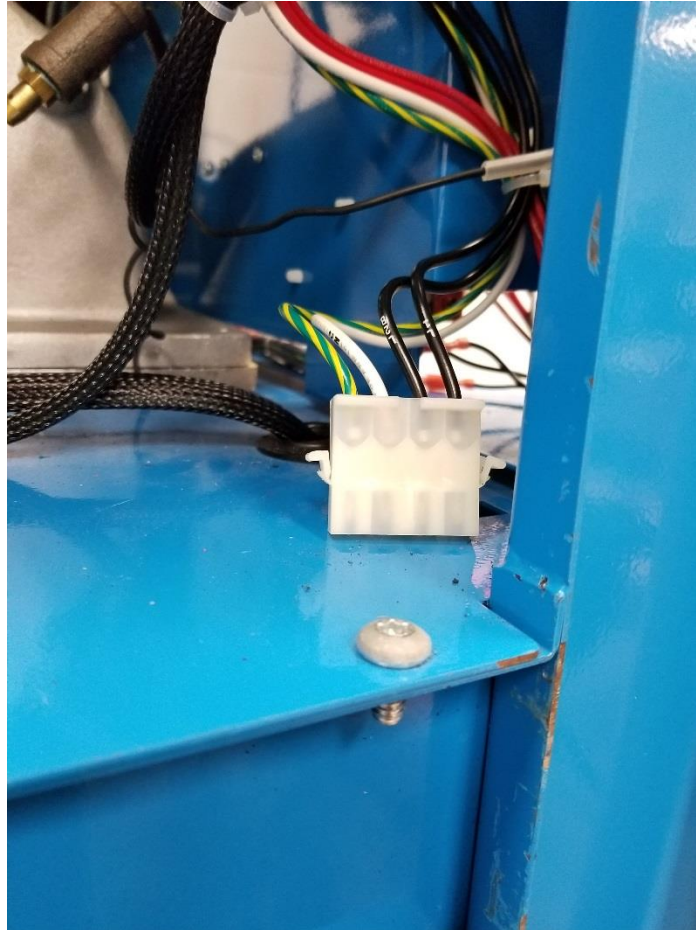


Figure 2

7. Drill out 4 rivets from side of each of terminal boxes holding them in place.



**Patterson-Kelley**  
**HARSCO**

# Instructions

NURO Conversion Instructions  
MACH C3000-C4000

1005101728

ENVI to NURO

Date: 12/27/2017

Revision A

8. Remove 6 7/16" nuts from studs of control panel shown in figure 3.



Figure 3



**Patterson-Kelley**  
**HARSCO**

# Instructions

NURO Conversion Instructions  
MACH C3000-C4000

1005101728

ENVI to NURO

Date: 12/27/2017

Revision A

9. Remove high and low gas pressure switches and blocked flue switch shown in figures 4 through 6. High and low gas pressure switches and blocked flue switch will have matching electric connectors that will need to be plugged in.



Figure 4

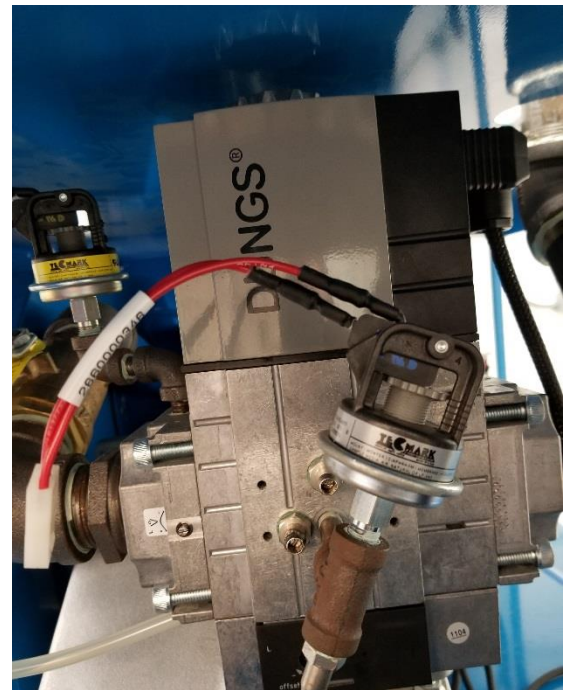


Figure 5



Figure 6



**Patterson-Kelley**  
**HARSCO**

# Instructions

NURO Conversion Instructions  
MACH C3000-C4000

1005101728

ENVI to NURO

Date: 12/27/2017

Revision A

10. On bottom right stud, before sliding on control panel, install L-bracket shown in figure 7 and then slide control panel onto studs and use 6 7/16" nuts to secure onto studs shown in figure 8.

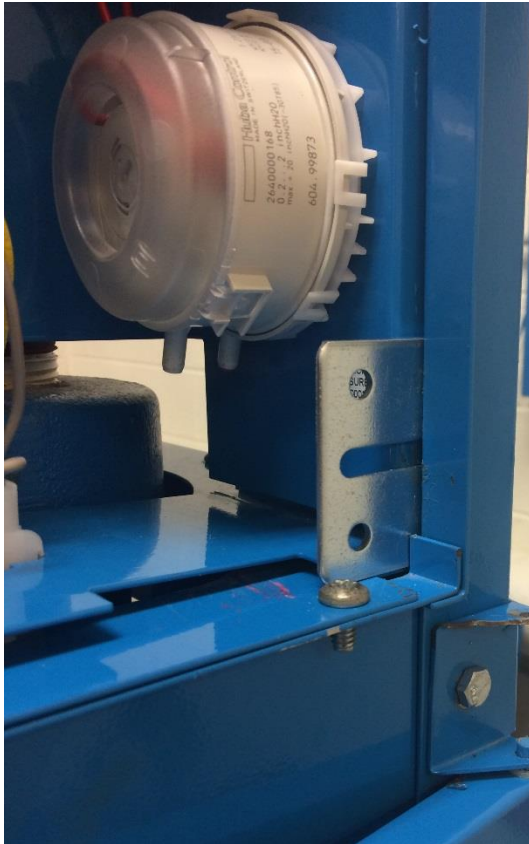


Figure 7



Figure 8





**Patterson-Kelley**  
**HARSCO**

# Instructions

NURO Conversion Instructions  
MACH C3000-C4000

1005101728

ENVI to NURO

Date: 12/27/2017

Revision A

11. Install new terminal boxes and secure using 4 T20 Torx screws on each side shown in figure 9.

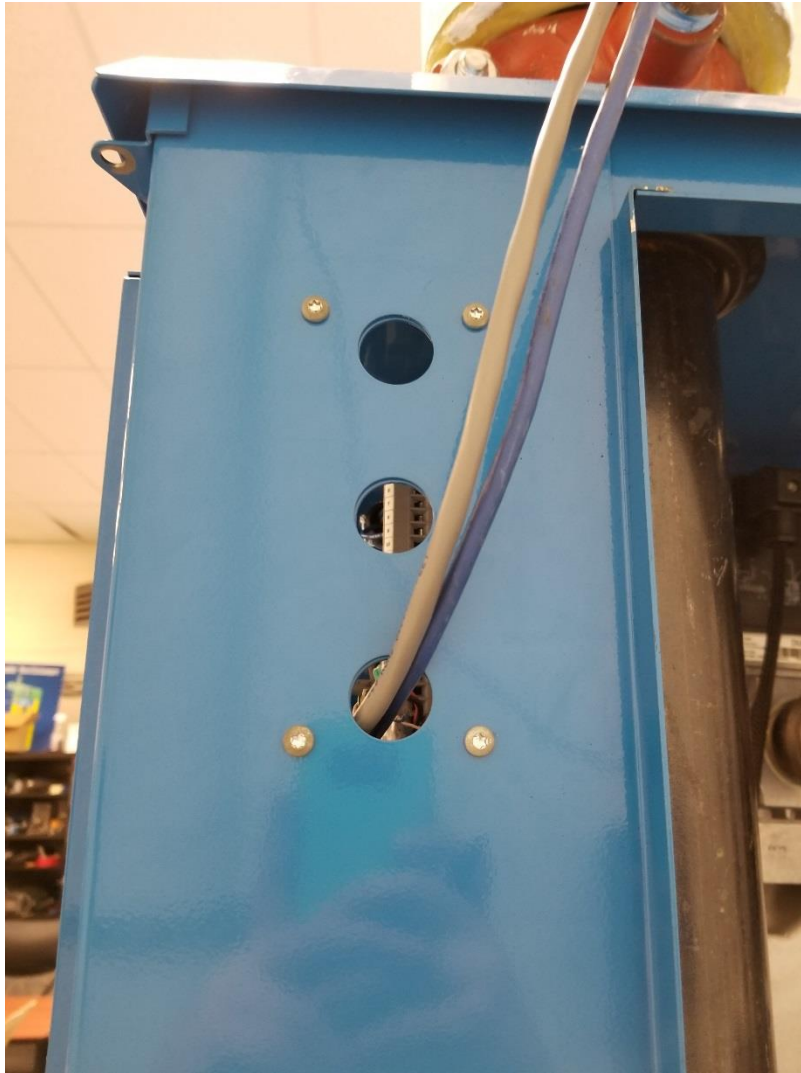


Figure 9



**Patterson-Kelley**  
**HARSCO**

# Instructions

NURO Conversion Instructions  
MACH C3000-C4000

1005101728

ENVI to NURO

Date: 12/27/2017

Revision A

12. Reconnect 120V plug bottom into top shown in figure 10.



Figure 10



**Patterson-Kelley**  
**HARSCO**

# Instructions

NURO Conversion Instructions  
MACH C3000-C4000

1005101728  
ENVI to NURO  
Date: 12/27/2017  
Revision A

13. Run all internal wires to appropriate safety devices and sensors.

Types of Wires	Colors/Identification
Return Temperature Sensor Wires	Blue/Gray
Supply Temperature Sensor Wires	Red/Gray
Flue Temperature Sensor Wires	Yellow/Gray
Heat Exchanger Sensor Wires	Orange/Gray

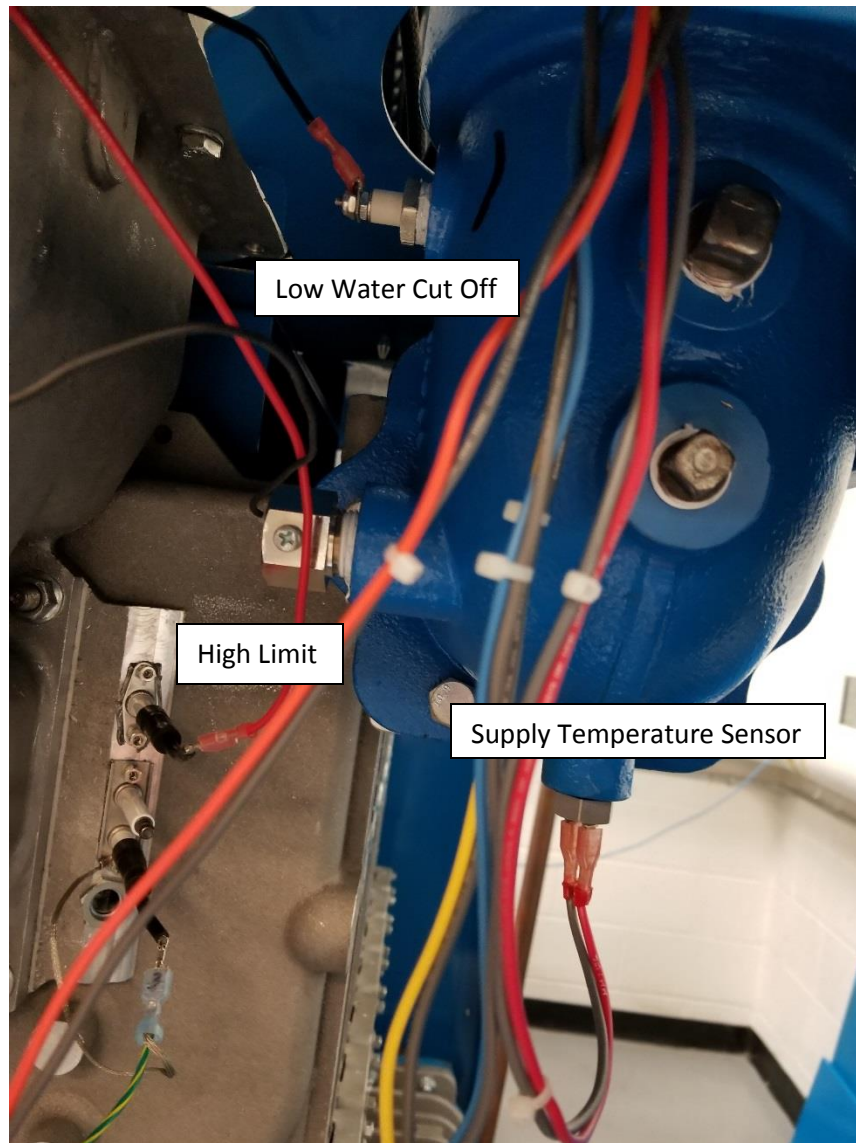


Figure 11



**Patterson-Kelley**  
**HARSCO**

# Instructions

NURO Conversion Instructions  
MACH C3000-C4000

1005101728

ENVI to NURO

Date: 12/27/2017

Revision A

14. Plug fan back in shown in figure 12.

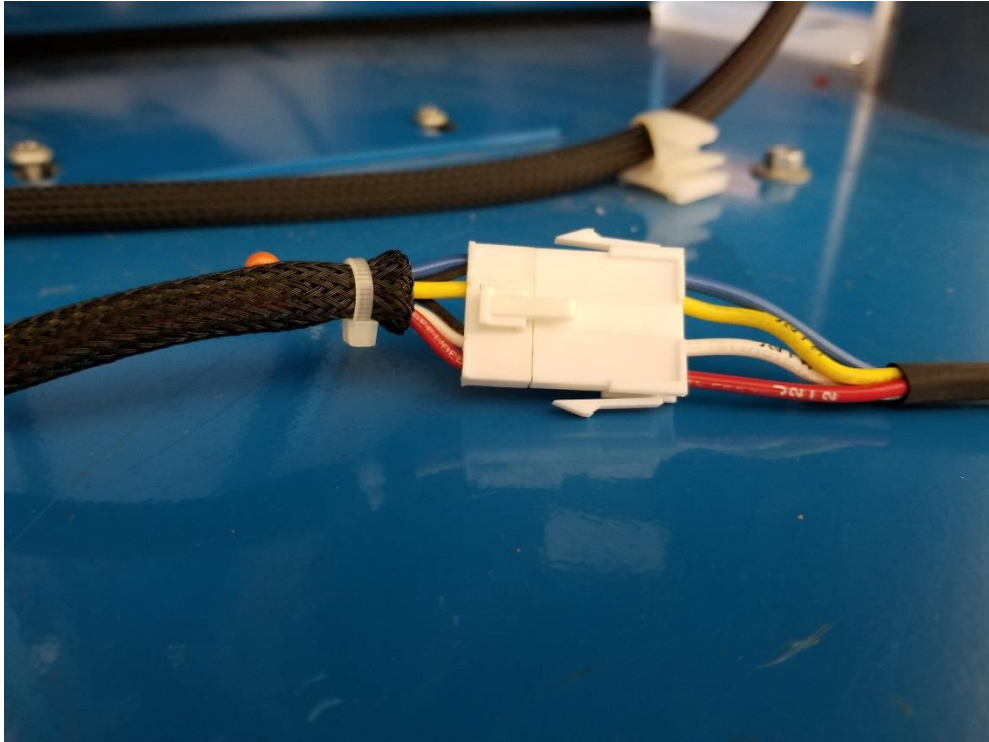


Figure 12

15. Install gas valve plug with retaining screw.

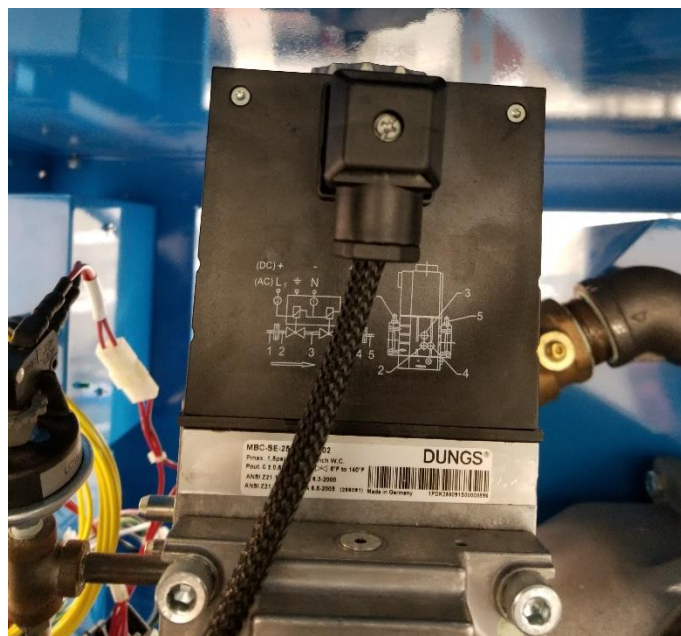


Figure 13



**Patterson-Kelley**  
**HARSCO**

# Instructions

NURO Conversion Instructions  
MACH C3000-C4000

1005101728

ENVI to NURO

Date: 12/27/2017

Revision A

16. Run igniter wire and ground to ignition electrode.
17. Install tubing for air switch and blocked flue switch. Blocked flue tube will need to be cut to length to ensure that there is not tube slack. Tube should be pitched down from switch to condensate pan to ensure condensate will not accumulate in tube.

NOTE: Verify the orifice pieces are installed in the pressure switches.

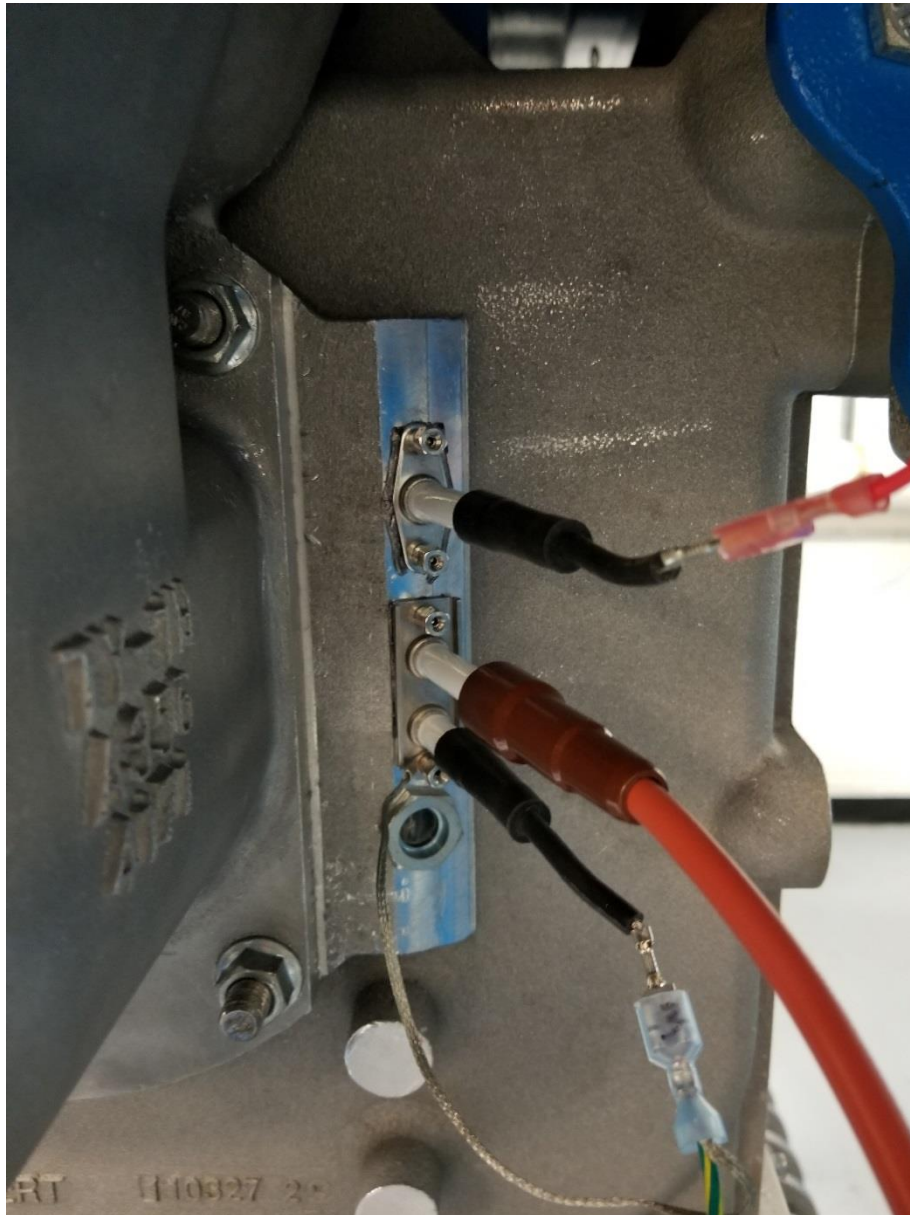


Figure 14



**Patterson-Kelley**  
**HARSCO**

# Instructions

NURO Conversion Instructions  
MACH C3000-C4000

1005101728

ENVI to NURO

Date: 12/27/2017

Revision A

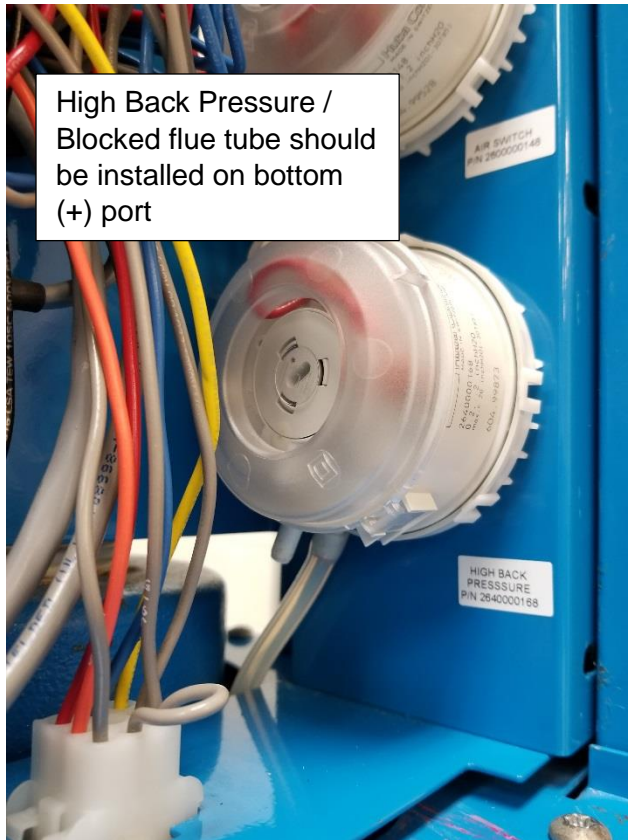


Figure 16



Figure 15



**Patterson-Kelley**  
**HARSCO**

# Instructions

NURO Conversion Instructions  
MACH C3000-C4000

1005101728  
ENVI to NURO  
Date: 12/27/2017  
Revision A

18. Knock/Drill studs out from front top left side of frame as shown in figure 17.

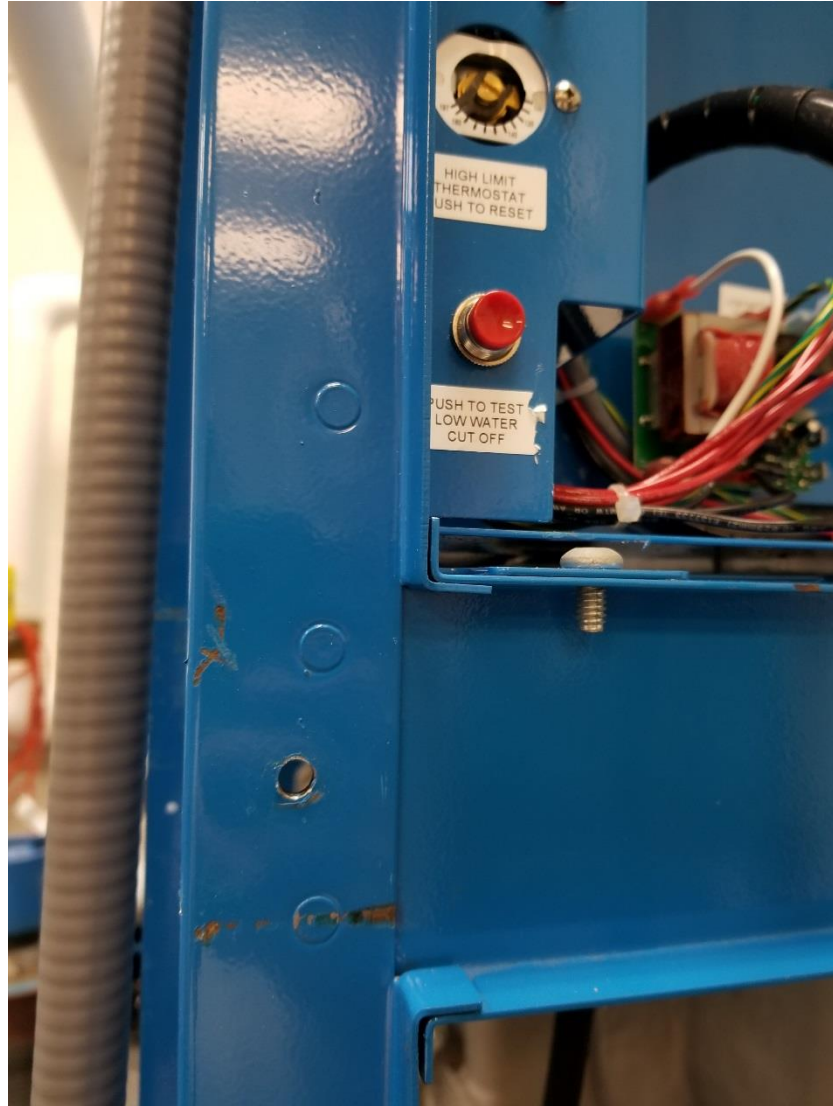


Figure 17

19. Loosen nuts for top hood of boiler in order to make it possible for top bracket to be installed.



**Patterson-Kelley**  
**HARSCO**

# Instructions

NURO Conversion Instructions  
MACH C3000-C4000

1005101728  
ENVI to NURO  
Date: 12/27/2017  
Revision A

20. Install top bracket with 7/16" nut and bolt shown in figure 18.

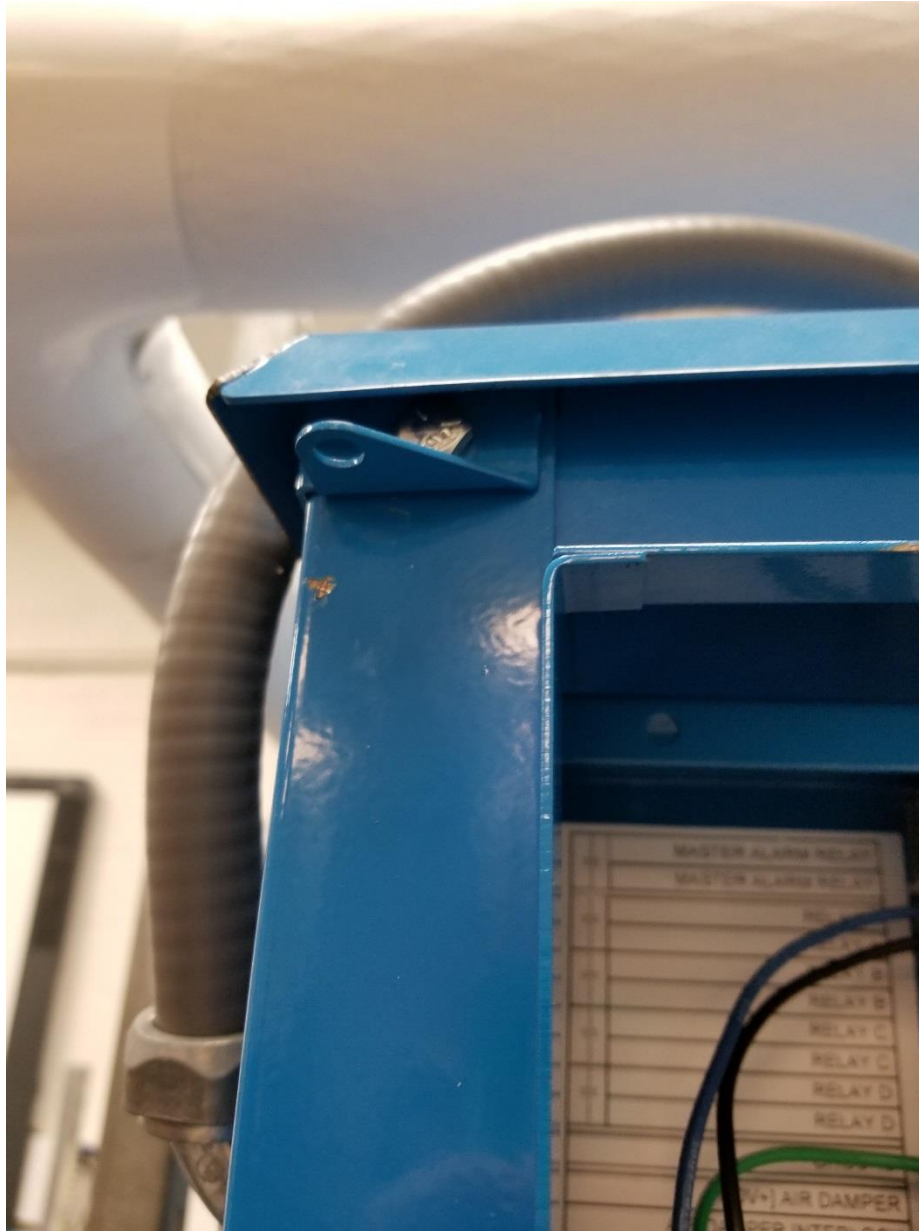


Figure 18

21. Put plastic washers on top and bottom pins of door.
22. Insert top pin and lock door into place.





**Patterson-Kelley**  
**HARSCO**

# Instructions

NURO Conversion Instructions  
MACH C3000-C4000

1005101728

ENVI to NURO

Date: 12/27/2017

Revision A

23. Secure bottom bracket into place with 7/16" nut and bolt.



Figure 19



**Patterson-Kelley**  
**HARSCO**

# Instructions

NURO Conversion Instructions  
MACH C3000-C4000

1005101728  
ENVI to NURO  
Date: 12/27/2017  
Revision A

24. Install NURO touch screen assembly on door in order of nylon washer, NURO, nylon washer, nylon lock nut shown in figure 20.



Figure 20



**Patterson-Kelley**  
**HARSCO**

# Instructions

**NURO Conversion Instructions**  
MACH C3000-C4000

1005101728  
ENVI to NURO  
Date: 12/27/2017  
Revision A

25. Insert green electric plug D1 and D2 into NURO control and attach all ground wires to front door ground lug shown in figure 21.

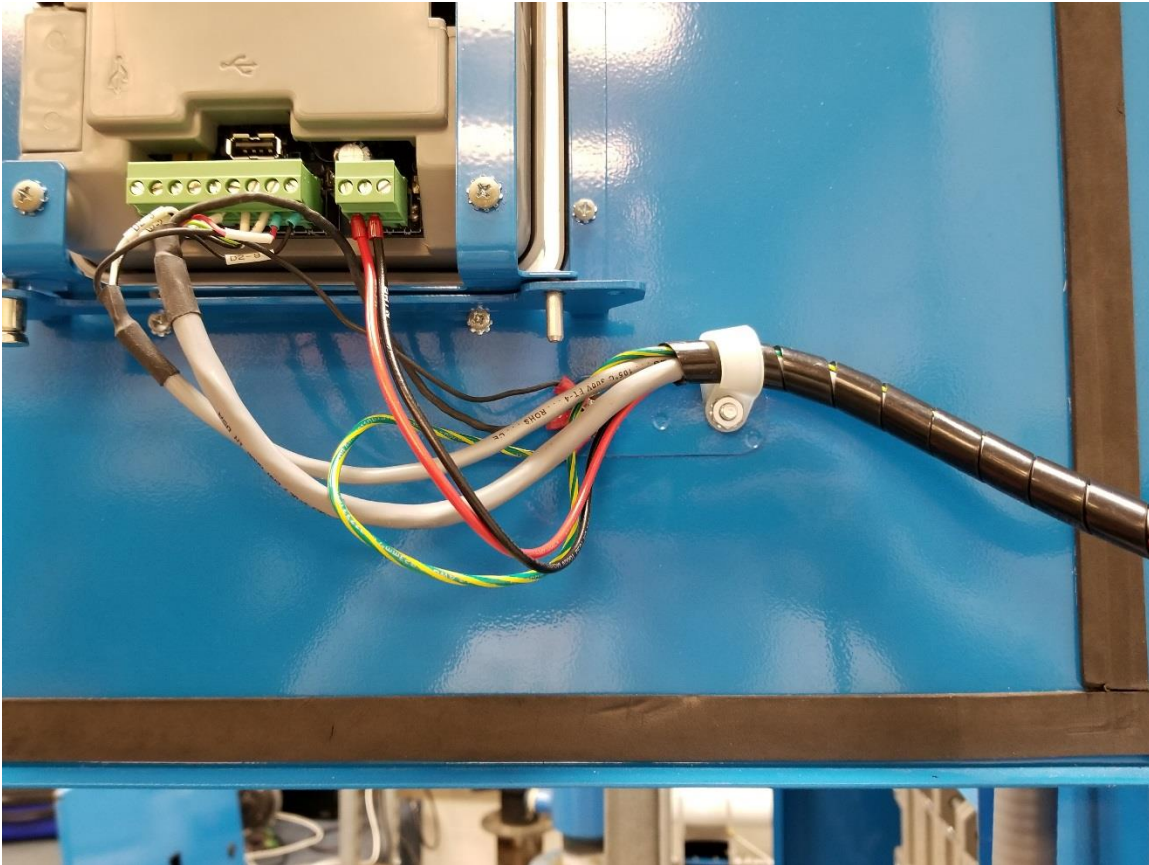


Figure 21

26. Install field wiring to new terminal boxes per wiring terminal block labels.
27. Install terminal box cover and secure with 4 Phillips head screws.
28. Re-energize power to unit. **DO NOT ENERGIZE GAS.** Call tech support for help pairing controls to boiler (570-421-7500 and press 2 for technical support).
29. After pairing is complete with technical support, re-energize gas supply to unit.
30. Perform Runout Procedure.
31. Perform factory start up and fill out start up report located in O&M manual and check all safety devices per O&M manual to ensure all are working properly.
32. Re-Install side panels of boiler.



**Patterson-Kelley**  
**HARSCO**

# Instructions

NURO Conversion Instructions  
MACH C3000-C4000

1005101728  
ENVI to NURO  
Date: 12/27/2017  
Revision A

## Runout Procedure

### **WARNING**

Start Interlock 1, Start Interlock 2, and Air Damper terminals are 120 VAC. Power must be off when removing, installing jumpers, or wires to these terminals.

1. Remove the factory jumpers / field wiring from enable/disable, start interlock 1, start interlock 2, damper end switch terminals.
2. From the information screen on the NURO touch screen verify that the enable/disable circuit is open.
3. Reinstall the factory jumper or the field wiring in the enable/disable terminals and give the boiler a call for heat. Verify that the boiler is giving the error of start interlock 1 open.
4. Turn the boiler off and reinstall the factory jumper or field wiring into the start interlock 1 terminals.
5. Turn the boiler back on, reset the error and verify the boiler is going into a start interlock 2 open error.
6. Turn the boiler off and reinstall the jumper or field wiring in the start interlock 2 terminals.
7. Turn the boiler on, reset the error and allow the boiler to try and start. Verify that the boiler locks out on damper end switch did not close in allotted time.
8. Turn the boiler off and reinstall the factory jumper or damper end switch wires. Turn the boiler back on and reset the control.
9. In order to test the low water cut-out, press and hold the red "Push to Test" button for at least 5 seconds. A manual lockout reset error displaying 10010: "Low Water Limit" on the NURO touchscreen should occur. The red LED indicator on the Low Water cut-off will no longer be illuminated.
10. Optional Test Method: First turn the boiler off, and then turn off the boiler's circulating pump. Isolate the boiler from the system. Drain the water level below the low water cut-off probe. Turn the boiler back on. It should not operate, and a manual lockout reset error displaying 10010: "Low Water Limit" on the NURO touchscreen should occur. The red LED indicator on the Low Water cut-off will no longer be illuminated.
11. Return the system to normal operation by refilling with water, restarting the boiler's circulating pump, and then turning the boiler back on.
12. The boiler is furnished with a low gas pressure switch, installed near the boiler's main gas shutoff/control valve. The operation of this switch must be checked as follows:
  1. Close the main gas cock (external to the boiler).
  2. Cycle the boiler on by generating a heat request.
  3. Allow the boiler to proceed through prepurge and attempt ignition.

When the main gas shutoff/control valve opens to attempt ignition, the low gas pressure switch will trip, causing the NURO touchscreen to display 10012: "**Low Gas Limit**". Even after re-opening the main gas cock, 10012: "**Low Gas Limit**" will remain on the NURO display until the boiler is manually reset by pressing "Reset Control".

13. The boiler is furnished with a high gas pressure switch, installed near the boiler's main gas shutoff/control valve. The operation of this switch must be checked as follows:
  1. Before starting the boiler, close the downstream gas cock located inside the boiler's enclosure.
  2. Cycle the boiler on by generating a heat request.
  3. Allow the boiler to proceed through prepurge and attempt ignition.



**Patterson-Kelley**  
**HARSCO**

# Instructions

NURO Conversion Instructions  
MACH C3000-C4000

1005101728

ENVI to NURO

Date: 12/27/2017

Revision A

When the main gas shutoff/control valve opens to attempt ignition, the high gas pressure switch will trip, causing the NURO touchscreen to display 10011: **“High Gas Limit”**. Even after re-opening the downstream gas cock inside the boiler, 10011: **“High Gas Limit”** will remain on the NURO display until the boiler is manually reset by pressing **“Reset Control”**.

14. Test the ignition system safety shutdown as follows:
  1. Cycle the boiler on by generating a heat request. (The method for this will depend on your boiler configuration.)
  2. During the pre-purge cycle (before ignition), smoothly close the downstream manual isolation valve (inside the boiler cabinet) to reduce the gas flow.
  3. Closing the manual isolation valve will prevent a successful ignition, and the NURO will display either:
    - 109: **“Ignition Failed”**
    - 110: **“Ignition Failure Occurred”**These alarms indicate an ignition failure and the lockout will remain until the control is reset. After completing this test, turn the boiler off, open the downstream manual isolation valve, then turn the boiler back on and reset the control.
15. Test the air switch for proper operation. Allow the boiler to start. Remove the tube from the air switch, after 30 seconds the control should lock out on air switch not closed. reinstall the tube and reset the boilers control.
16. Testing the blocked flue switch. Allow the boiler to start, remove the blocked flue tube from the condensate pan and apply a positive pressure to the tube. Verify that the boiler locked out on a blocked flue error. Reinstall the blocked flue tube and reset the control.
17. To test the supply, return, flue, and heat exchanger temp sensors you will need to disconnect one wire from each sensor. Verify that the boiler goes into a blocking error for each correct sensor.
18. To test the high limit, allow the boiler to start, then turn the high limit down slowly and verify that the boiler locks out on high limit. the high limit should be at the same temperature as the supply water temperature at the time that it trips. Turn the high limit all the way up, reset the limit and reset the boilers control.
19. In order to test the operating limit on the boiler, verify that the boiler turns on below the setpoint minus the differential, and shuts down at the setpoint plus the off differential.



**Patterson-Kelley**  
HARSCO

# Instructions

NURO Conversion Instructions  
MACH C3000-C4000

1005101728  
ENVI to NURO  
Date: 12/27/2017  
Revision A



## P-K BOILER START-UP REPORT

Date: \_\_\_\_\_

Boiler Serial # \_\_\_\_\_ Model # \_\_\_\_\_

Installation Name: \_\_\_\_\_ City: \_\_\_\_\_

State: \_\_\_\_\_ Zip: \_\_\_\_\_ Contact \_\_\_\_\_ Phone: \_\_\_\_\_

Installer Name: \_\_\_\_\_ Type of Installation: \_\_\_\_\_ (Hotel, School, etc.)

Fuel: Natural Gas \_\_\_\_\_ Propane \_\_\_\_\_

Outdoor Temperature Sensor Connected Yes: \_\_\_\_\_ No: \_\_\_\_\_

Field Fire-Test	High	Low	DATE:
Inlet Gas	_____ "w.c.	_____ "w.c.	
Oxygen (O2)	_____ %	_____ %	
Carbon Dioxide (CO2)	_____ %	_____ %	
Carbon Monoxide (CO)	_____ ppm	_____ ppm	
Nox	_____ ppm	_____ ppm	
Gross Stack Temp.	_____ ° F	_____ ° F	
Combustion Air Temp.	_____ ° F	_____ ° F	
Stack Press.(exhaust)	_____ "w.c.	_____ "w.c.	
Main Flame Signal	_____ Volts or uA	_____ Volts or uA	
Efficiency	_____ %	_____ %	
Comb. Air Pres. (Intake)	_____ "w.c.	_____ "w.c.	

Lockup/Static Gas pressure \_\_\_\_\_

Gas pressure drop @ Ignition \_\_\_\_\_

2. Water Inlet temperature: \_\_\_\_\_ ° F

3. Water Outlet temperature: \_\_\_\_\_ ° F

4. Flow through boiler: \_\_\_\_\_ GPM

5. Operating Temperature Setpoint: \_\_\_\_\_ ° F (from Internal OR external control)

6. Approximate stack lengths: \_\_\_\_\_ Ft. Horizontal \_\_\_\_\_ Ft. Vertical \_\_\_\_\_ Flue Pipe Diameter

7. Incoming Electrical Power \_\_\_\_\_ Volts a.c.  Less than 1 volt between neutral and ground

8. System Water pH level \_\_\_\_\_

9. Comments:


Performed by PK  
Certified Agent: \_\_\_\_\_  
(Print Name)

Start Up Certification # \_\_\_\_\_



**Patterson-Kelley**  
HARSCO

# Instructions

**NURO Conversion Instructions**  
MACH C3000-C4000

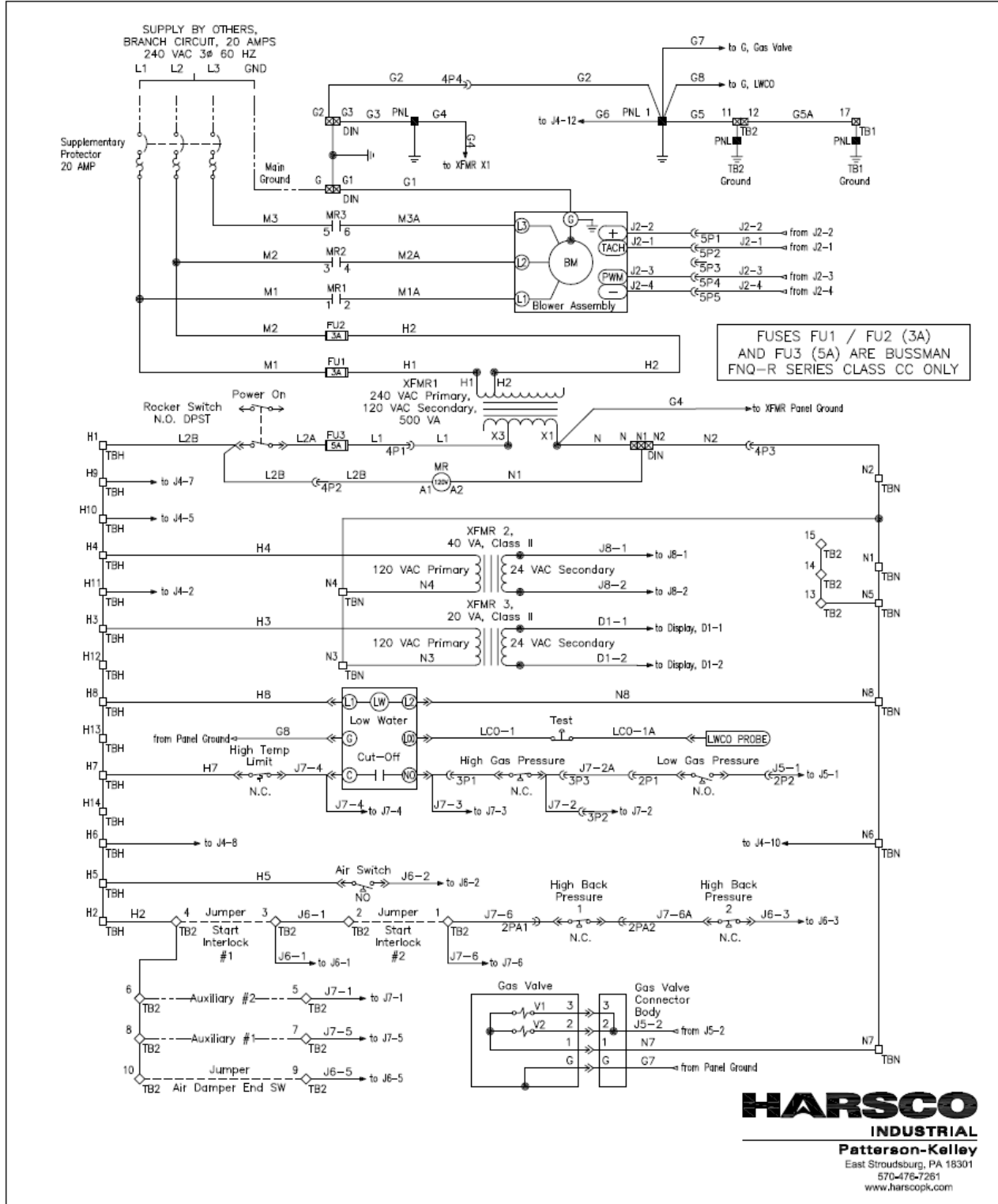
1005101728

ENVI to NURO

Date: 12/27/2017

Revision A

## 240 Volt



IF ANY OF THE ORIGINAL WIRE SUPPLIED WITH THIS BOILER MUST BE REPLACED, IT MUST BE REPLACED WITH THE SAME UL WIRE TYPE.

**C3000 - C4000 / 240 VOLT**  
**NURO® Control (Conversion)**

264100075 (1)  
REV. A



**Patterson-Kelley**  
HARSCO

# Instructions

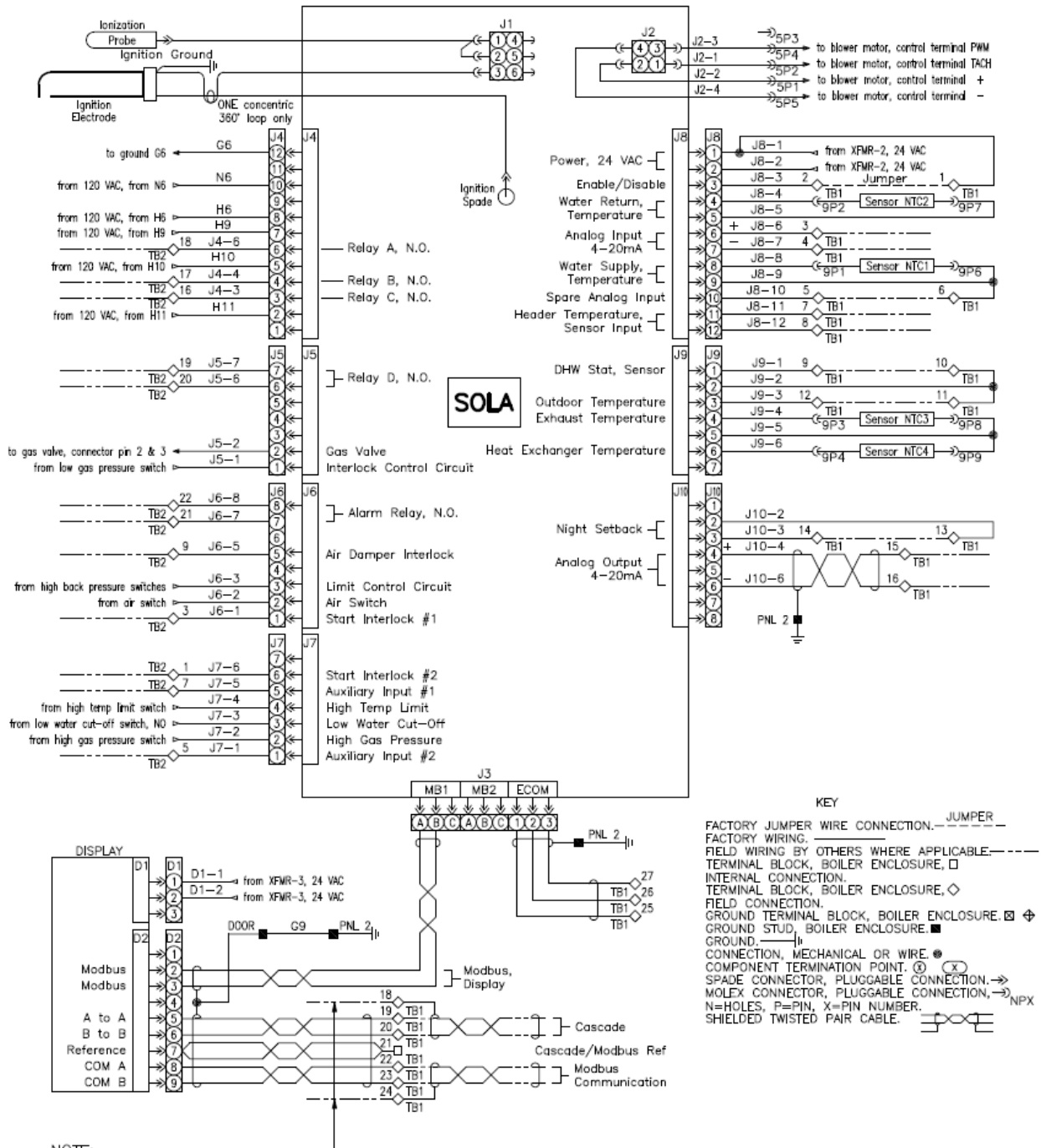
**NURO Conversion Instructions**  
MACH C3000-C4000

1005101728

ENVI to NURO

Date: 12/27/2017

Revision A



**HARSCO**  
INDUSTRIAL  
**Patterson-Kelley**  
East Stroudsburg, PA 18301  
570-476-7261  
www.harscoipk.com

IF ANY OF THE ORIGINAL WIRE SUPPLIED WITH THIS BOILER MUST BE REPLACED, IT MUST BE REPLACED WITH THE SAME UL WIRE TYPE.

**C3000 - C4000 / 240 VOLT**  
**NURO® Control (Conversion)**

264100075 (2)  
REV. A







**Patterson-Kelley**  
HARSCO

# Instructions

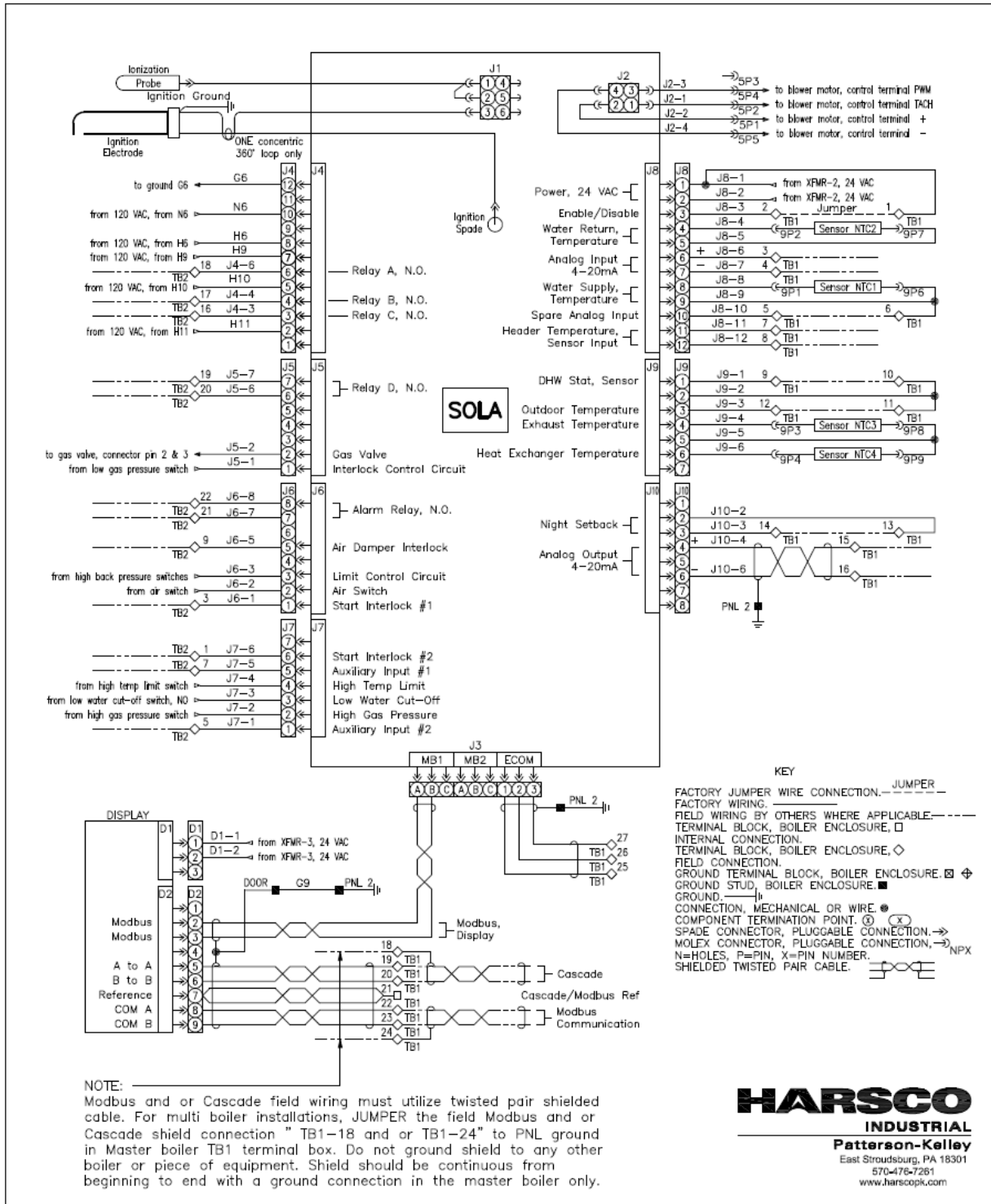
## NURO Conversion Instructions MACH C3000-C4000

1005101728

ENVI to NURO

Date: 12/27/2017

Revision A



IF ANY OF THE ORIGINAL WIRE SUPPLIED WITH THIS BOILER MUST BE REPLACED, IT MUST BE REPLACED WITH THE SAME UL WIRE TYPE.

**C3000 - C4000 / 480 VOLT**  
**NURO® Control (Conversion)**

2641000076 (2)  
REV. A

**HARSCO**  
INDUSTRIAL  
**Patterson-Kelley**  
East Stroudsburg, PA 18301  
570-476-7261  
www.harscoipk.com