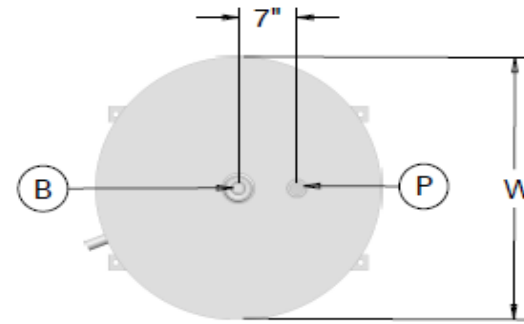
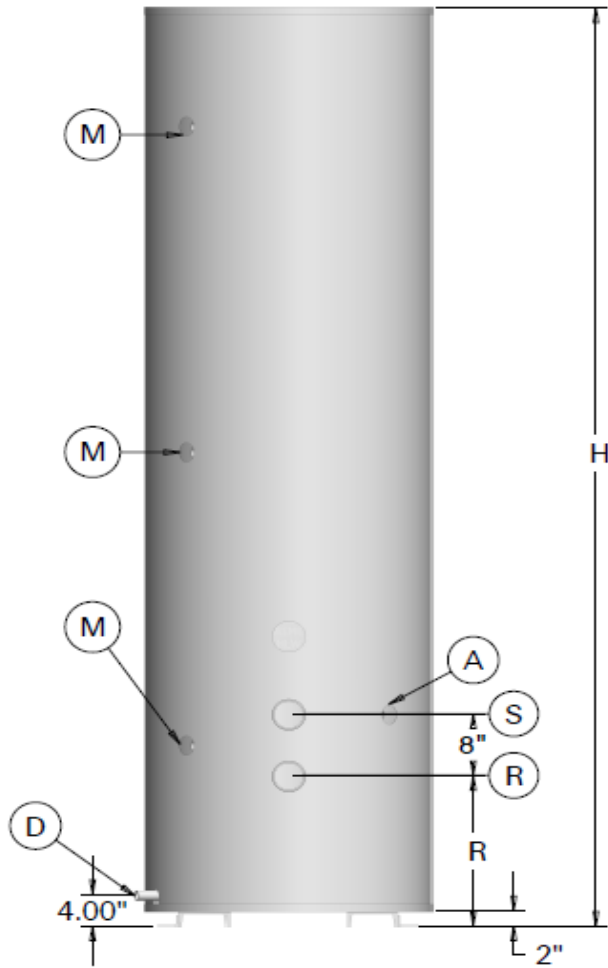


# P-K WATER STORAGE TANKS - Vertical

Model capacities 320 through 415 gallons

Rep Name: \_\_\_\_\_  
 Phone Number: \_\_\_\_\_  
 Email: \_\_\_\_\_  
 Date: \_\_\_\_ / \_\_\_\_ / \_\_\_\_



Appliance dimensions		
Appliance Connections	320 gal	415 gal
A Aquastat / Tank Sensor	3/4" NPT	
B Building Supply	2-1/2" NPT	
D Drain	1" NPT	
M Magnesium Anode Rod	1" NPT	
P Pressure Relief Valve	1-1/4" NPT	
R Domestic Water Return	3" NPT	
S Domestic Water Supply	3" NPT	
Appliance dimensions		
H Height (overall)	119"	110"
R Domestic Water Return	19.5"	21"
W Width (overall)	34"	40"

Safety Relief Valve and Temperature & Pressure Relief Valves	
Shipped Loose for Field Installation	
<b>Safety relief valves</b>	
<input type="checkbox"/> 30 PSIG 3/4" FPT x 3/4" FPT	<input type="checkbox"/> 30 PSIG 1" FPT x 1" FPT
<input type="checkbox"/> 50 PSIG 3/4" FPT x 3/4" FPT	<input type="checkbox"/> 50 PSIG 1" FPT x 1" FPT
<input type="checkbox"/> 60 PSIG 3/4" FPT x 3/4" FPT	<input type="checkbox"/> 60 PSIG 1" FPT x 1" FPT
<input type="checkbox"/> 75 PSIG 3/4" FPT x 3/4" FPT	<input type="checkbox"/> 75 PSIG 1" FPT x 1" FPT
<input type="checkbox"/> 80 PSIG 3/4" FPT x 3/4" FPT	<input type="checkbox"/> 80 PSIG 1" FPT x 1" FPT
<input type="checkbox"/> 100 PSIG 3/4" FPT x 3/4" FPT	<input type="checkbox"/> 100 PSIG 1" FPT x 1" FPT
<input type="checkbox"/> 125 PSIG 3/4" FPT x 3/4" FPT	<input type="checkbox"/> 125 PSIG 1" FPT x 1" FPT
<input type="checkbox"/> 150 PSIG 3/4" FPT x 3/4" FPT	<input type="checkbox"/> 150 PSIG 1" FPT x 1" FPT
<b>Temperature &amp; Pressure relief valves</b>	
<input type="checkbox"/> 125 PSIG 3/4" FPT x 3/4" FPT @ 210° with 8" Element	
<input type="checkbox"/> 125 PSIG 1" FPT x 1" FPT @ 210° with 8" Element	
<input type="checkbox"/> 150 PSIG 3/4" FPT x 3/4" FPT @ 210° with 8" Element	
<input type="checkbox"/> 150 PSIG 1" FPT x 1" FPT @ 210° with 8" Element	
<b>Temperature regulation</b>	
<input type="checkbox"/> Tank temperature sensor	<input type="checkbox"/> Aquastat

A.S.M.E Section IV Design Data - "HLW" Stamp	
Maximum Pressure	<input type="checkbox"/> 125 psig (standard) <input type="checkbox"/> 150 psig (option)
Maximum Temperature	180°F
Material of construction	<input type="checkbox"/> Glass-lined carbon steel (standard) <input type="checkbox"/> Double glass-lined carbon steel† (option)

Recommended Clearance for Service Access <sup>‡</sup>	
320 gallons	Front - 28"   Rear - 6"   Top - 18"   Right Side - 6"   Left Side - 6"
415 gallons	Front - 34"   Rear - 6"   Top - 18"   Right Side - 6"   Left Side - 6"

<sup>‡</sup> Refer to Installation and Owner's Manual for complete clearance dimension details

Approximate Shipping Weights	
320 gallons	840 lbs
415 gallons	1130 lbs

†Extended warranty included

