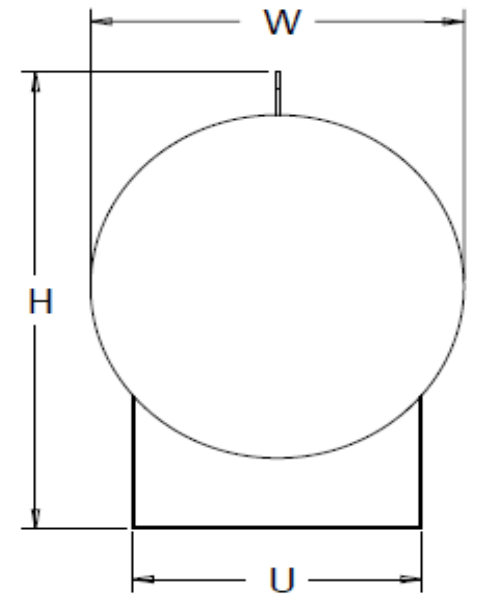
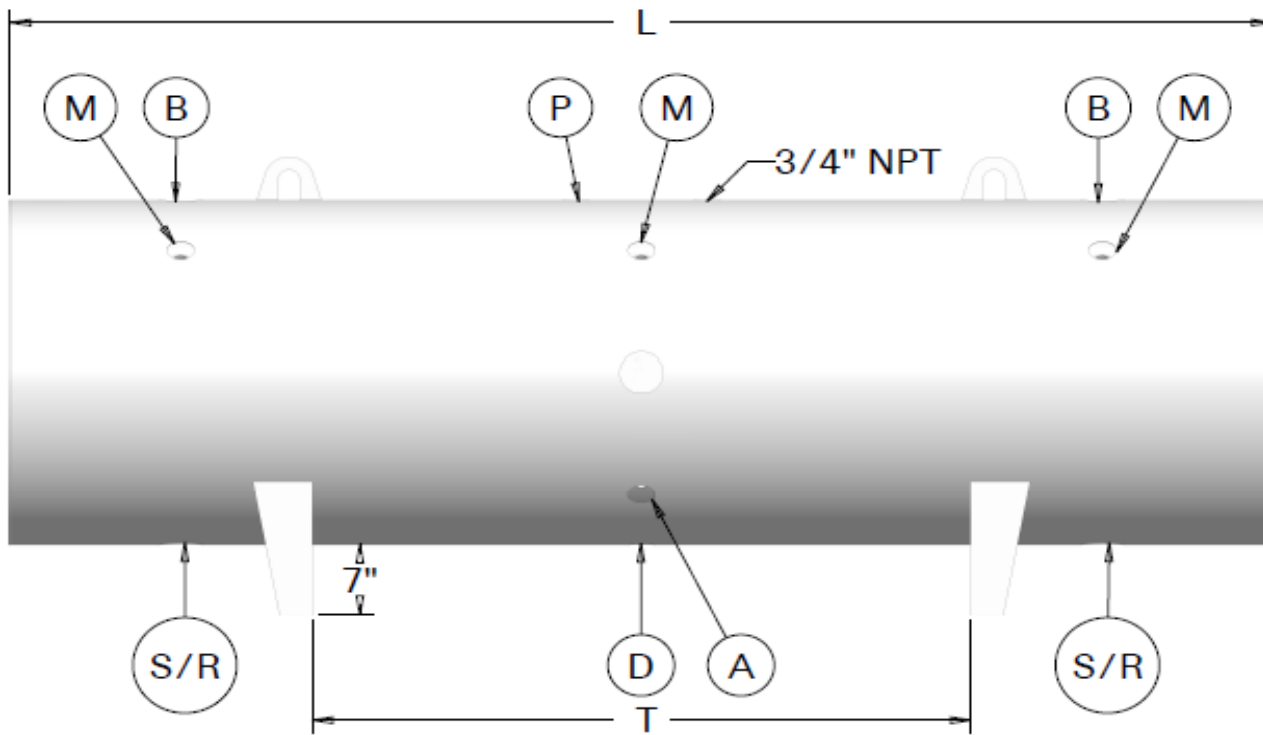


# P-K WATER STORAGE TANKS - Horizontal

Model capacities 210 through 415 gallons

Rep Name: \_\_\_\_\_  
 Phone Number: \_\_\_\_\_  
 Email: \_\_\_\_\_  
 Date: \_\_\_\_ / \_\_\_\_ / \_\_\_\_



Appliance dimensions					
Appliance Connections		210 gal	320 gal	415 gal	
A	Aquastat / Tank Sensor		3/4" NPT		
B	Building Supply		2-1/2" NPT		
D	Drain		1" NPT		
M	Magnesium Anode Rod		1" NPT		
P	Pressure Relief Valve		1-1/4" NPT		
R	Domestic Water Return		3" NPT		
S	Domestic Water Supply		3" NPT		
Appliance dimensions					
H	Height (overall)	41"	34"	47"	
L	Length (overall)	79"	115"	106"	
T	Support stand distance	24"	60"	48"	
U	Support Width	24"	26-3/8"	31-11/16"	
W	Width (overall)	34"	34"	40"	

A.S.M.E Section IV Design Data - "HLW" Stamp	
Maximum Pressure	<input type="checkbox"/> 125 psig (standard) <input type="checkbox"/> 150 psig (option)
Maximum Temperature	180°F
Materials of construction	<input type="checkbox"/> Glass-lined carbon steel (standard) <input type="checkbox"/> Double-lined carbon steel <sup>†</sup> (option)

Safety Relief Valve and Temperature & Pressure Relief Valves	
Shipped Loose for Field Installation	
Safety relief valves	
<input type="checkbox"/> 30 PSIG 3/4" FPT x 3/4" FPT	<input type="checkbox"/> 30 PSIG 1" FPT x 1" FPT
<input type="checkbox"/> 50 PSIG 3/4" FPT x 3/4" FPT	<input type="checkbox"/> 50 PSIG 1" FPT x 1" FPT
<input type="checkbox"/> 60 PSIG 3/4" FPT x 3/4" FPT	<input type="checkbox"/> 60 PSIG 1" FPT x 1" FPT
<input type="checkbox"/> 75 PSIG 3/4" FPT x 3/4" FPT	<input type="checkbox"/> 75 PSIG 1" FPT x 1" FPT
<input type="checkbox"/> 80 PSIG 3/4" FPT x 3/4" FPT	<input type="checkbox"/> 80 PSIG 1" FPT x 1" FPT
<input type="checkbox"/> 100 PSIG 3/4" FPT x 3/4" FPT	<input type="checkbox"/> 100 PSIG 1" FPT x 1" FPT
<input type="checkbox"/> 125 PSIG 3/4" FPT x 3/4" FPT	<input type="checkbox"/> 125 PSIG 1" FPT x 1" FPT
<input type="checkbox"/> 150 PSIG 3/4" FPT x 3/4" FPT	<input type="checkbox"/> 150 PSIG 1" FPT x 1" FPT
Temperature & Pressure relief valves	
<input type="checkbox"/> 125 PSIG 3/4" FPT x 3/4" FPT @ 210° with 8" Element	
<input type="checkbox"/> 125 PSIG 1" FPT x 1" FPT @ 210° with 8" Element	
<input type="checkbox"/> 150 PSIG 3/4" FPT x 3/4" FPT @ 210° with 8" Element	
<input type="checkbox"/> 150 PSIG 1" FPT x 1" FPT @ 210° with 8" Element	
Temperature regulation	
<input type="checkbox"/> Tank temperature sensor	<input type="checkbox"/> Aquastat

Recommended Clearance for Service Access <sup>†</sup>	
210 gallons	Front - 28"   Rear - 6"   Top - 18"   Right Side - 6"   Left Side - 6"
320 gallons	Front - 28"   Rear - 6"   Top - 18"   Right Side - 6"   Left Side - 6"
415 gallons	Front - 34"   Rear - 6"   Top - 18"   Right Side - 6"   Left Side - 6"

<sup>†</sup> Refer to Installation and Owner's Manual for complete clearance dimension details

Approximate Shipping Weights	
210 gallons	715 lbs
320 gallons	890 lbs
415 gallons	1175 lbs

<sup>†</sup>Extended warranty included