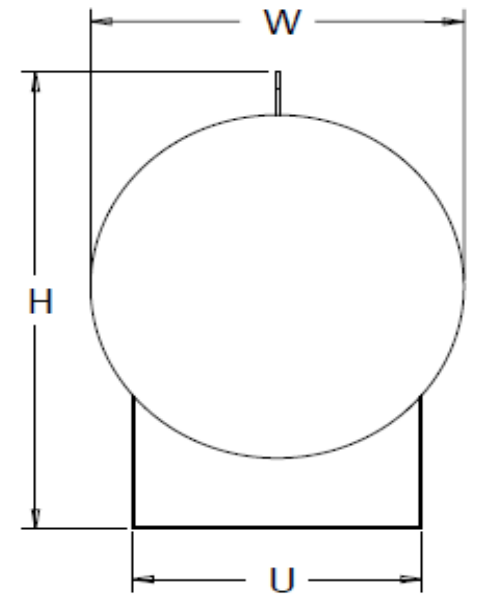
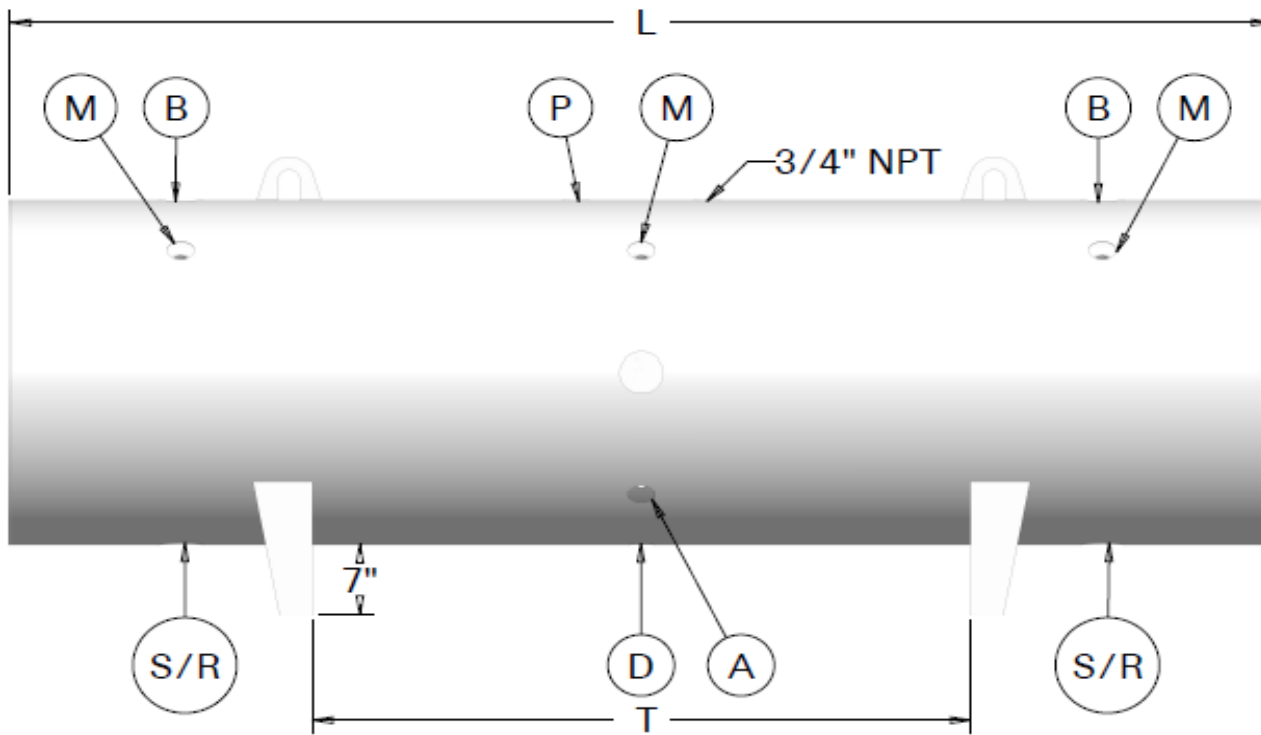


P-K WATER STORAGE TANKS - Horizontal

Model capacities 210 through 415 gallons

Rep Name: _____
 Phone Number: _____
 Email: _____
 Date: ____ / ____ / ____



Appliance dimensions				
Appliance Connections		210 gal	320 gal	415 gal
A	Aquastat / Tank Sensor		3/4" NPT	
B	Building Supply		2-1/2" NPT	
D	Drain		1" NPT	
M	Magnesium Anode Rod		1" NPT	
P	Pressure Relief Valve		1-1/4" NPT	
R	Domestic Water Return		3" NPT	
S	Domestic Water Supply		3" NPT	
Appliance dimensions				
H	Height (overall)	41"	34"	47"
L	Length (overall)	79"	115"	106"
T	Support stand distance	24"	60"	48"
U	Support Width	24"	26-3/8"	31-11/16"
W	Width (overall)	34"	34"	40"

A.S.M.E Section IV Design Data - "HLW" Stamp	
Maximum Pressure	<input type="checkbox"/> 125 psig (standard) <input type="checkbox"/> 150 psig (option)
Maximum Temperature	180°F
Materials of construction	<input type="checkbox"/> Glass-lined carbon steel (standard) <input type="checkbox"/> Double-lined carbon steel† (option)

Safety Relief Valve and Temperature & Pressure Relief Valves	
Shipped Loose for Field Installation	
Safety relief valves	
<input type="checkbox"/> 30 PSIG 3/4" FPT x 3/4" FPT	<input type="checkbox"/> 30 PSIG 1" FPT x 1" FPT
<input type="checkbox"/> 50 PSIG 3/4" FPT x 3/4" FPT	<input type="checkbox"/> 50 PSIG 1" FPT x 1" FPT
<input type="checkbox"/> 60 PSIG 3/4" FPT x 3/4" FPT	<input type="checkbox"/> 60 PSIG 1" FPT x 1" FPT
<input type="checkbox"/> 75 PSIG 3/4" FPT x 3/4" FPT	<input type="checkbox"/> 75 PSIG 1" FPT x 1" FPT
<input type="checkbox"/> 80 PSIG 3/4" FPT x 3/4" FPT	<input type="checkbox"/> 80 PSIG 1" FPT x 1" FPT
<input type="checkbox"/> 100 PSIG 3/4" FPT x 3/4" FPT	<input type="checkbox"/> 100 PSIG 1" FPT x 1" FPT
<input type="checkbox"/> 125 PSIG 3/4" FPT x 3/4" FPT	<input type="checkbox"/> 125 PSIG 1" FPT x 1" FPT
<input type="checkbox"/> 150 PSIG 3/4" FPT x 3/4" FPT	<input type="checkbox"/> 150 PSIG 1" FPT x 1" FPT
Temperature & Pressure relief valves	
<input type="checkbox"/> 125 PSIG 3/4" FPT x 3/4" FPT @ 210° with 8" Element	
<input type="checkbox"/> 125 PSIG 1" FPT x 1" FPT @ 210° with 8" Element	
<input type="checkbox"/> 150 PSIG 3/4" FPT x 3/4" FPT @ 210° with 8" Element	
<input type="checkbox"/> 150 PSIG 1" FPT x 1" FPT @ 210° with 8" Element	
Temperature regulation	
<input type="checkbox"/> Tank temperature sensor	<input type="checkbox"/> Aquastat

Recommended Clearance for Service Access†	
210 gallons	Front - 28" Rear - 6" Top - 18" Right Side - 6" Left Side - 6"
320 gallons	Front - 28" Rear - 6" Top - 18" Right Side - 6" Left Side - 6"
415 gallons	Front - 34" Rear - 6" Top - 18" Right Side - 6" Left Side - 6"

† Refer to Installation and Owner's Manual for complete clearance dimension details

Approximate Shipping Weights	
210 gallons	715 lbs
320 gallons	890 lbs
415 gallons	1175 lbs

†Extended warranty included



WST3 REV. B

1/13/2020