

THIS KIT INCLUDES ALL ITEMS SHOWN IN DRAWINGS BELOW.
 THIS KIT DOES NOT INCLUDE THE MODEL SIZE LABEL THAT
 APPEARS ON THE FRONT DOOR FOR EACH PRODUCTION BOILER.

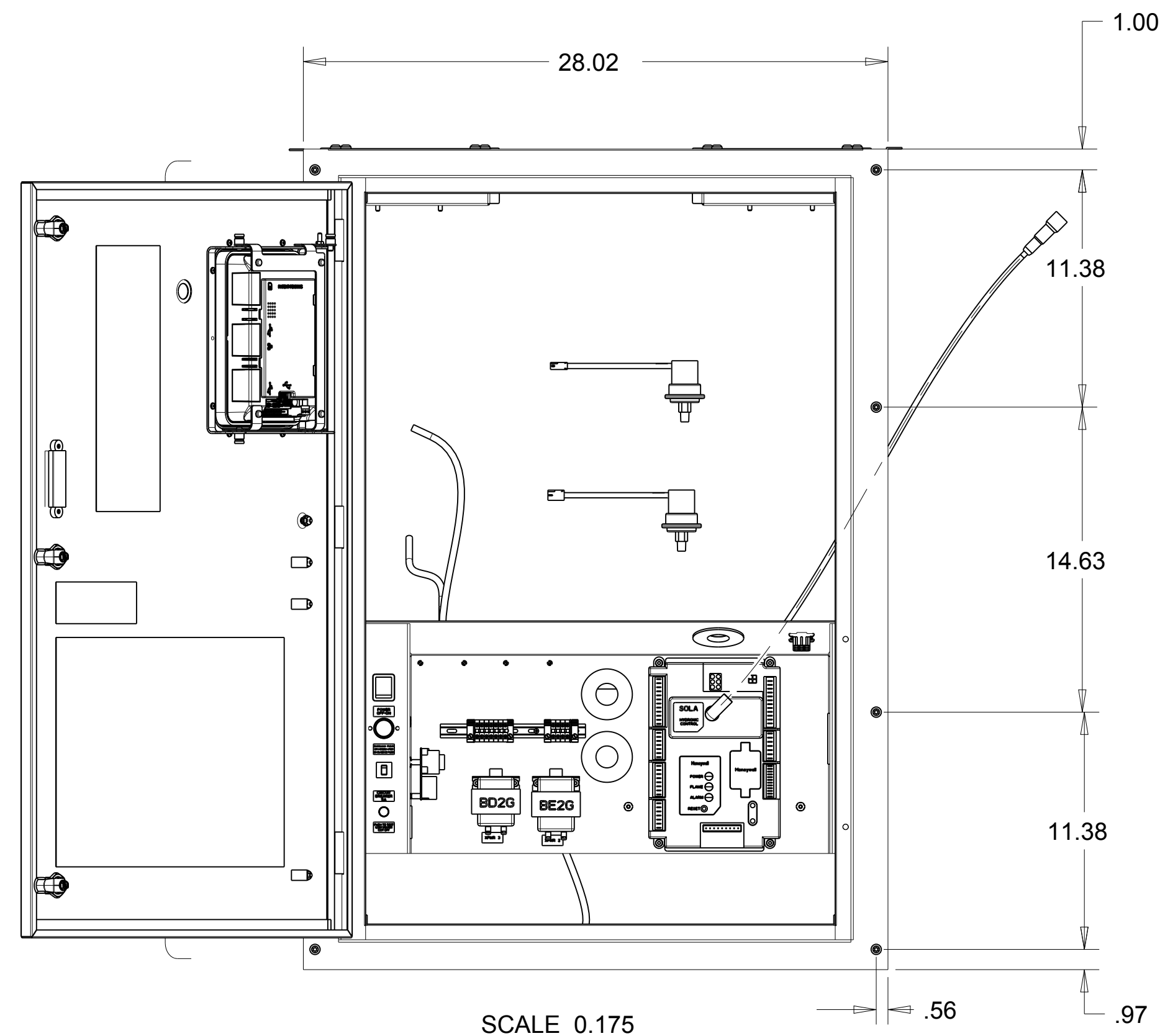
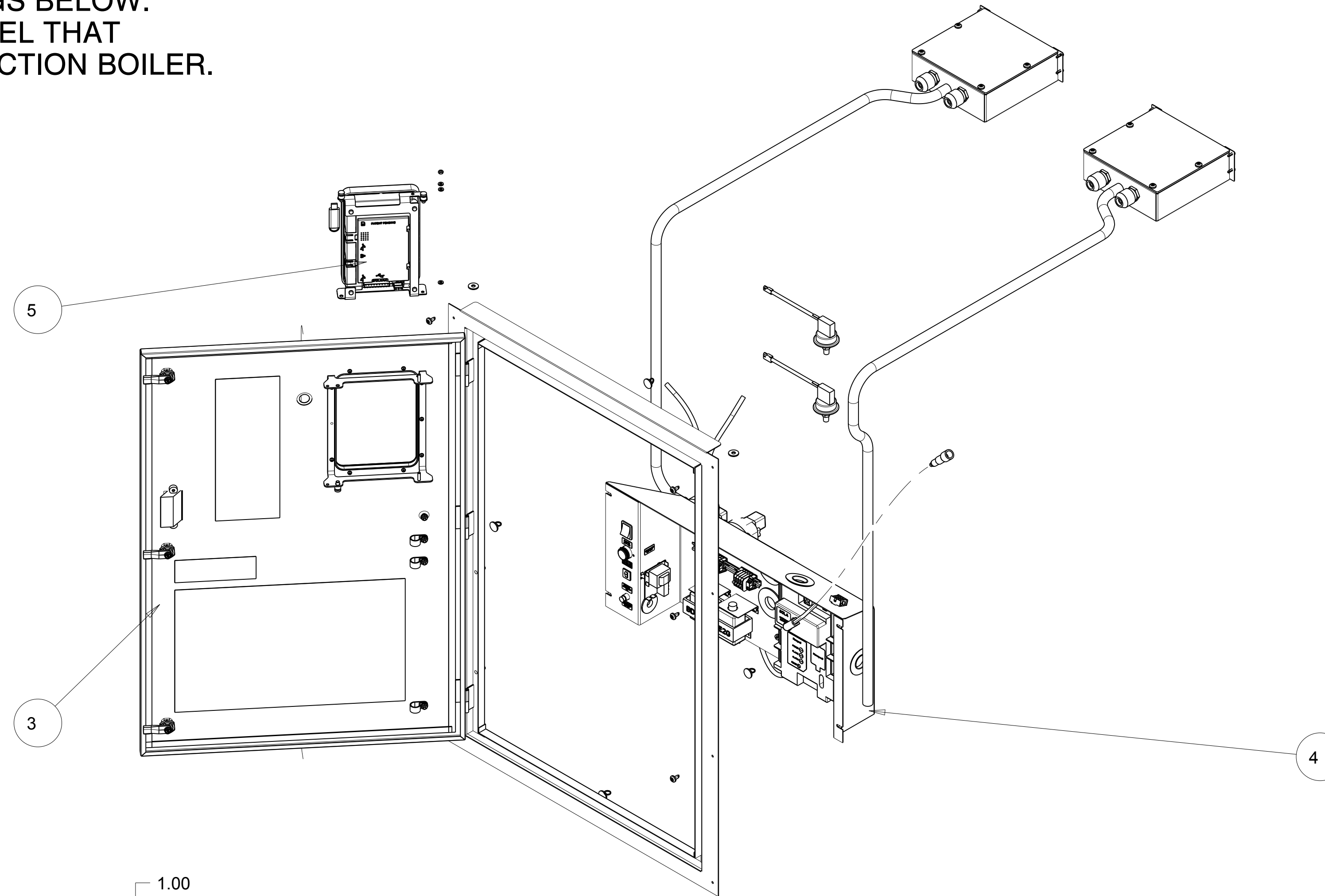
NOTES:

THIS CONVERSION SHOULD BE DONE BY AN
 AUTHORIZED SERVICE TECHNICIAN.

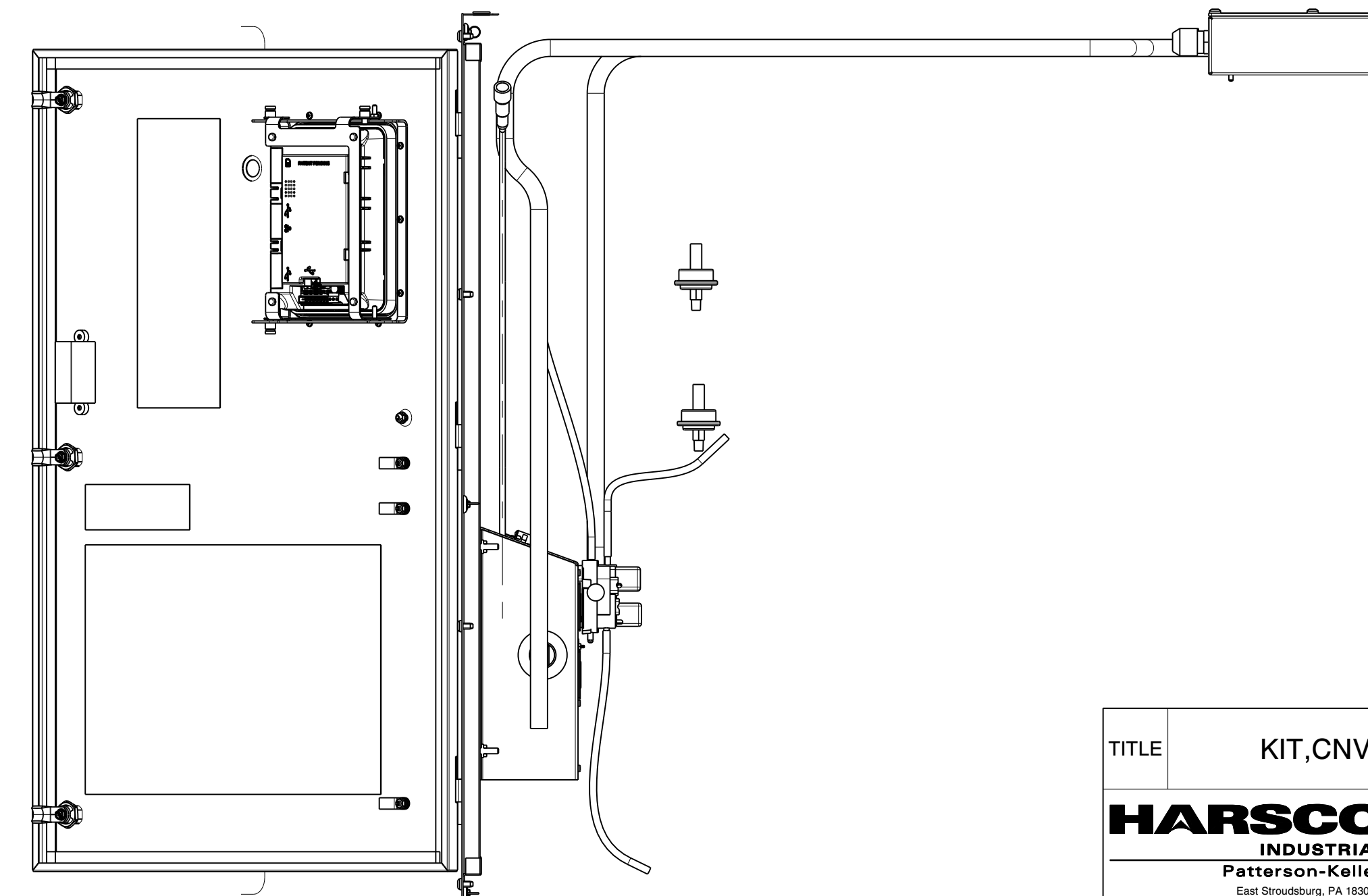
FOLLOW THE PROVIDED INSTRUCTIONS STEP BY
 STEP UNTIL COMPLETION.

GASKET TAPE IS PROVIDED, THOUGH NOT SHOWN
 IN THE DRAWING. USE THE GASKET TAPE TO SEAL
 THE CABINET WHILE INSTALLING THE NEW
 COMPONENTS.

MARK	QTY EA	QTY UM	PART NO.	DESCRIPTION
1	1	EA	1004905980	MAN,MACH,C750-1050,CM300/399/500,NURO,I&O
2	1	EA	1005101709	INSTR_SHT,ENVI_TO_NURO,MC750-1050
3	1	EA	2621000057	ASSY,WTB,FRONT_DOOR(ENVI-TO-NURO_DOOR)
4	1	EACH	2621000058	CTRL_PNL,ASSY,MACH_750/900/1050,ENVI_TO_NURO_CONV
5	1	EACH	2671000066	ASSY,CTRL,BLR,TOUCH_SCRN



SCALE 0.160



TITLE		KIT,CNV,MACH,C750-C1050,ENVI_TO_NURO			
HARSCO INDUSTRIAL Patterson-Kelley East Stroudsburg, PA 18301 570-475-7251 www.harscopk.com		THIS DRAWING, INFORMATION AND THE SUBJECT MATTER THEREOF, ARE THE SOLE AND EXCLUSIVE PROPERTY OF HARSCO INDUSTRIAL PATTERSON-KELLEY, EAST STROUDSBURG, PA 18301 USA. IT MAY BE REPRODUCED BY THE PURCHASER OF THIS EQUIPMENT FOR THEIR INTERNAL USE ONLY. IT CANNOT BE DISTRIBUTED TO ANY OTHER FIRM OR PARTY WITHOUT WRITTEN CONSENT FROM OUR COMPANY.			
1 OF 1	BY	DATE	FILE SIZE	REFERENCE NO.	
DRAWN	ALS	08/15/17			
CHECKED	ALS		D	PRINT NO.	REVISION
APPROVED	ALS			BP00000624	B

B	REMOVED PART# 2300000137, 2600000150 & 2600000285. MOVED COMPONENTS TO 2621000058. CTRL_PNL,ASSY, MACH_750/900/1050,ENVI_TO_NURO,CONVERSION.	TJS	AMS	10/13/17	ASME CODE	DESIGN PRESS.	TYPE X-RAY	APPROX. WEIGHT LBS.
A	RELEASED FOR PRODUCTION	ALS	AMS	08/15/17	YES	NO	NONE	
REV.	DESCRIPTION	BY	CK'D.	DATE				