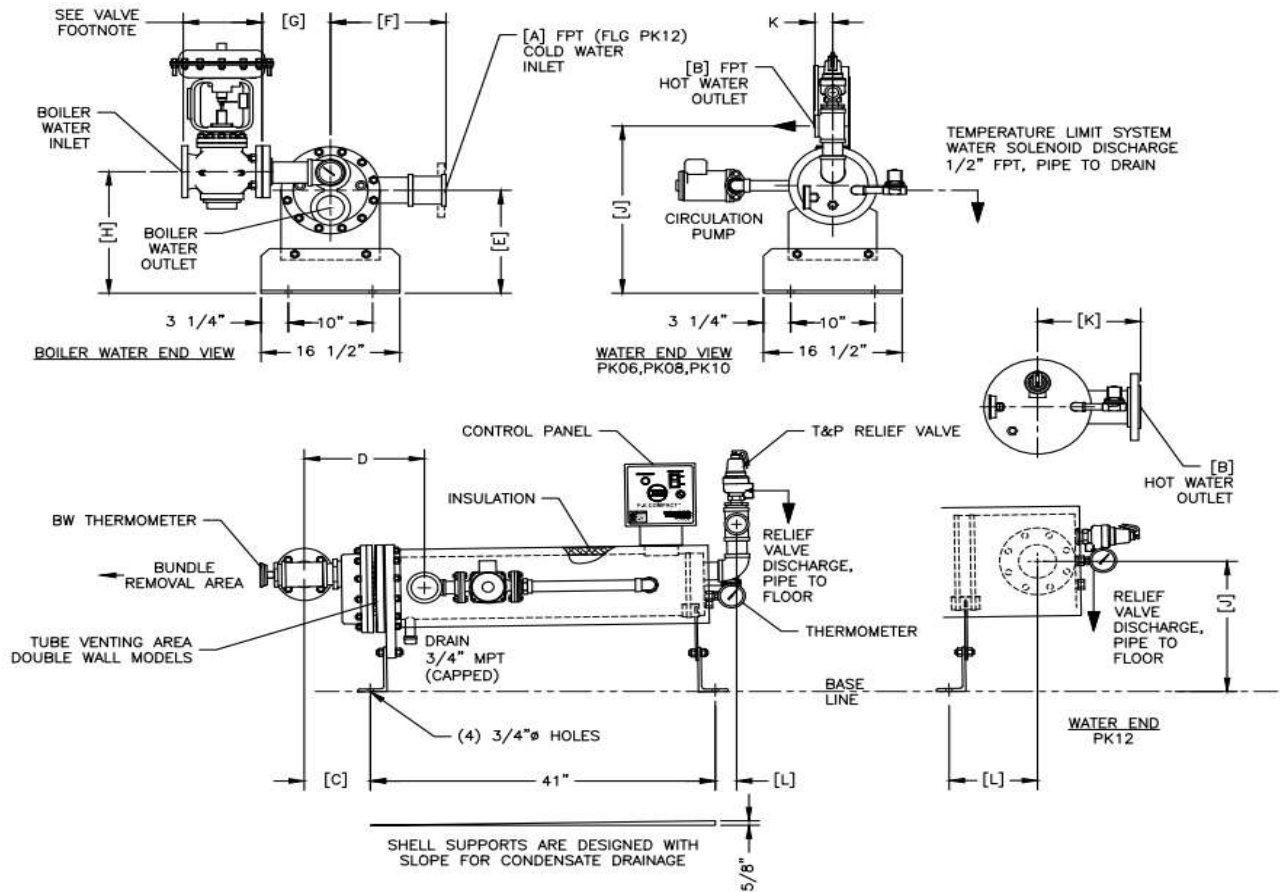


P-K COMPACT®

MODELS PK06, PK08, PK10 & PK12 (DOUBLE AND SINGLE WALL)
HORIZONTAL WATER TO WATER



MODEL NUMBER	A	B	C	D	E	F	G	H	J	K	L
PK06H	2	1 1/2	7 3/4	13 1/2	14	12	8	15 3/4	22	2 3/4	4 1/2
PK08H	3	2	8 1/4	14 3/4	14	13 3/4	8 3/4	16 1/2	22 1/2	3 1/8	4
PK10H	3	2 1/2	10 3/4	17 1/2	15	14 3/4	12	18	24 3/4	3 1/8	4 1/2
PK12H	5	4	12 1/2	20	17	18	11 1/4	20 1/4	17 5/8	12 1/4	17 1/4

Notes: **Maximum Operating Pressure: 150PSI** **Dimensions in inches** **Rough-in dimensions Only**
Seismic Support Stand Available

- PK12 units Inlet and Outlet connections are ANSI 150# Flanged.
- Valve dimensions vary with size and type of valve requires. See valve information for actual length.
- Pressure only relief valve shipped loose and must be installed by contractor in the field as shown.
- A pneumatic valve is shown. Electric valves are also available

CW Inlet Temperature: _____

HW Outlet Temperature: _____

HW Flow Rate GPM: _____

BW Inlet Temperature: _____

BW Outlet Temperature: _____

BW Flow Rate GPM: _____

Rep: _____

Phone Number: _____

Email: _____

Job Name: _____

COMPONENTS		<input type="checkbox"/>	SINGLE WALL	<input type="checkbox"/>	DOUBLE WALL
SUPPORT STAND		<input type="checkbox"/>	STANDARD		
		<input type="checkbox"/>	SEISMIC (OPTIONAL)		
SHELLSIDE		<input type="checkbox"/>	SB-171-706 (COPPER-NICKEL)		
TUBESIDE	TUBES	<input type="checkbox"/>	SB-75-C12200 COPPER		
		<input type="checkbox"/>	SB-171-706 COPPER NICKEL		
		<input type="checkbox"/>	316SS (316SS BUNDLE ONLY)		
	TUBESHEET (INNER)	<input type="checkbox"/>	SB-171-464 NAVAL BRASS (STANDARD)		
		<input type="checkbox"/>	SB-171-706 COPPER NICKEL		
		<input type="checkbox"/>	316SS (316SS BUNDLE ONLY)		
TUBESHEET (OUTER)	<input type="checkbox"/>	N/A	<input type="checkbox"/>	CARBON STEEL	
BILLET	<input type="checkbox"/>	SA-516-GR 70 CARBON STEEL			

*316SS available in SINGLE WALL Only

P-K COMPACT®

MODELS PK06, PK08, PK10 & PK12 (DOUBLE AND SINGLE WALL)
HORIZONTAL WATER TO WATER



Pump					
Standard Pump			NY Trim		
<input type="checkbox"/>	Number	Part	<input type="checkbox"/>	Number	Part
	1	B&G Pump – PL30-B		1	Ball Valve
	2	Isolation Flange		2	Venturi Tee
	Standard pump configuration consists of the pump and isolation flanges for easy pump maintenance. Pump assists with heat transfer, and prevention of scale build-up on tube bundle.			3	B&G Pump
			NY Trim Application allows the use of the COMPACT Recirculation pump to take place of the Building Recirculation pump with the use of the venturi tee. 3 pump sizes are available for different building pressure drop.		
			Pump Selection		
			<input type="checkbox"/> B&G Pump – PL30-B <input type="checkbox"/> B&G Pump – PL36-B <input type="checkbox"/> B&G Pump – PL50-B		

Control Valve									
Valve Type			1"	1 1/2"	2"	2 1/2"	3"	4"	
						<input type="checkbox"/>	<input type="checkbox"/>	<input type="checkbox"/>	<input type="checkbox"/>
<input type="checkbox"/>	2-Way Electric	Manufacturer	Siemens						
		Model	MXG		MXF	M3P			
		Flange to Flange	4.33"	5.51"	6.69"	11.42"	12.2"	13.78"	
<input type="checkbox"/>	3-Way Electric	Manufacturer	Siemens						
		Model	MXG		MXF	M3P			
		Flange to Flange	4.33"	5.51"	6.69"	11.42"	12.2"	13.78"	
<input type="checkbox"/>	2-Way Pneumatic	Manufacturer	Watson McDaniel						
		Model	HB Series			CV Series			
		Flange to Flange	7.25"	8.75"	10"	10.88"	12.52"	14.49"	
<input type="checkbox"/>	3-Way Pneumatic	Manufacturer	Warren						
		Model	28N			29N			
		Flange to Flange	4.875"	5.75"	6.5"	9"	10"	13"	

Pilot Valve and Controller Submittals						
<input type="checkbox"/>	Electric	Type-J Thermocouple with LOVE Controller	<input type="checkbox"/>	Control Panel: Standard Control Panel		
			<input type="checkbox"/>	Control Panel: Standard Control Panel with Alarm Relay		
<input type="checkbox"/>	Pneumatic	Accritem Pneumatic Temperature Controller	<input type="checkbox"/>	Control Panel: Standard Control Panel with Alarm Relay, Horn, & Silencing Switch		
			<input type="checkbox"/>	Control Panel: Electronic Control Panel with BACnet (Electric Only)		

Relief Valve						
SIZE		Pressure Only		Temperature & Pressure		
		BTU/HR CAPACITY		SIZE	BTU/HR CAPACITY	
<input type="checkbox"/>	3/4"	1,817,000		<input type="checkbox"/>	3/4"	1,912,000
<input type="checkbox"/>	1"	2,858,000		<input type="checkbox"/>	1"	3,625,000
<input type="checkbox"/>	1 1/2"	7,322,000		<input type="checkbox"/>	1 1/2"	6,050,000