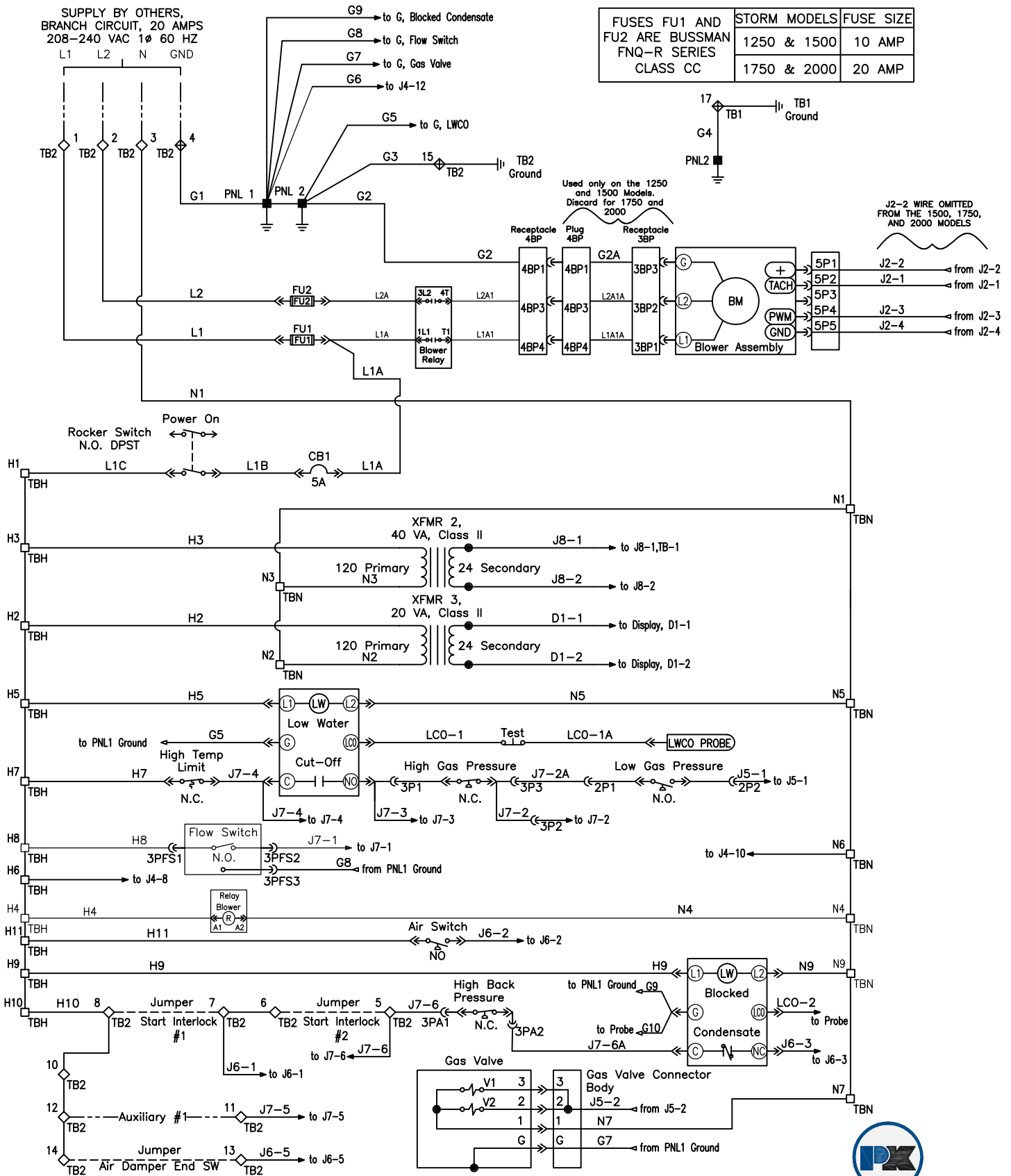


SUPPLY BY OTHERS,
BRANCH CIRCUIT, 20 AMPS
208-240 VAC 1 ϕ 60 HZ
L1 L2 N GND

FUSES FU1 AND FU2 ARE BUSSMAN FNQ-R SERIES CLASS CC	STORM MODELS	FUSE SIZE
	1250 & 1500	10 AMP
	1750 & 2000	20 AMP

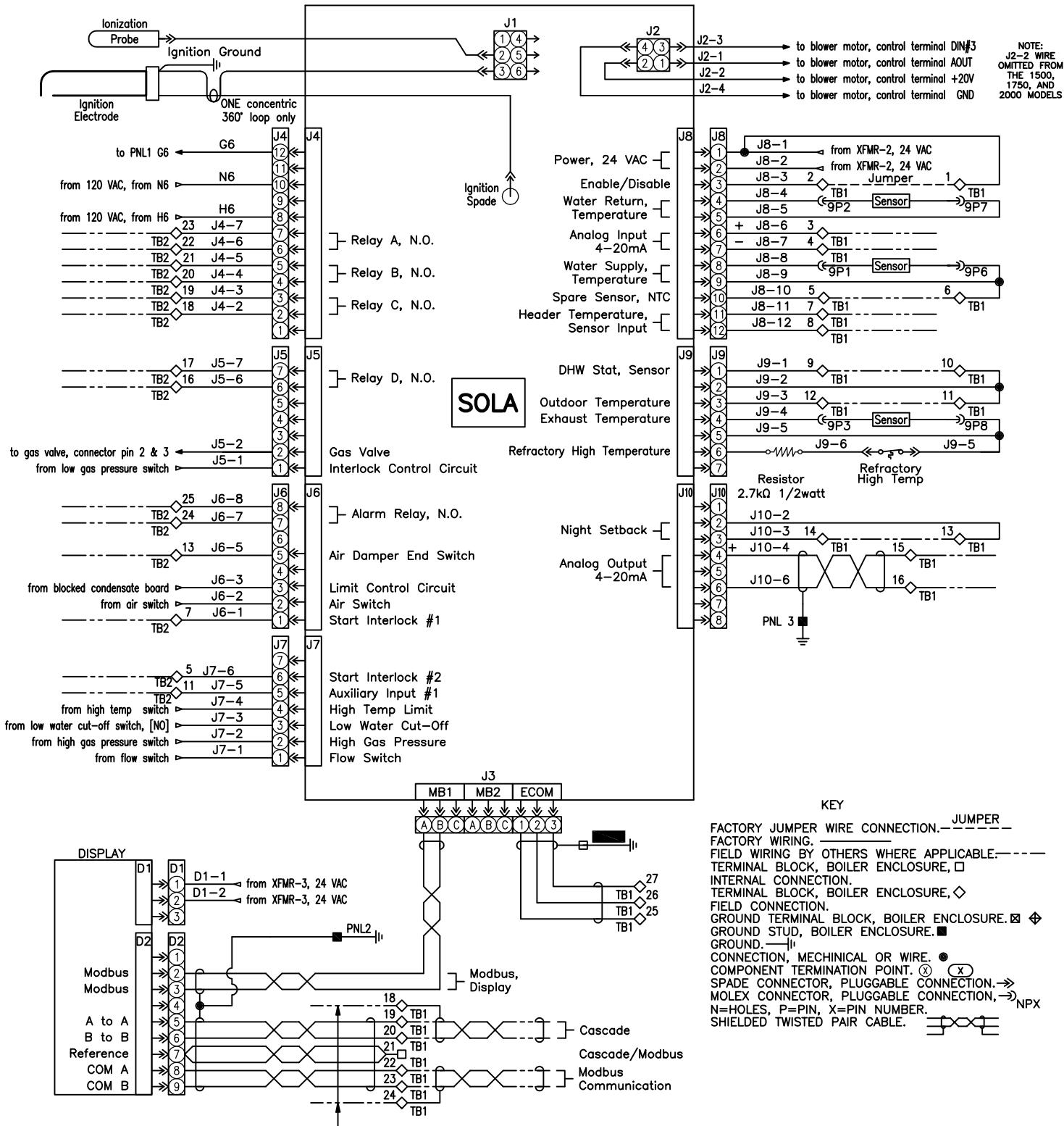


Patterson-Kelley, LLC
East Stroudsburg, PA 18301
570-476-7261
www.pattersonkelley.com

IF ANY OF THE ORIGINAL WIRE SUPPLIED WITH THIS BOILER MUST BE REPLACED, IT MUST BE REPLACED WITH THE SAME UL WIRE TYPE.

**STORM BOILERS 208-240 V
WITH NURO[®] CONTROL**

2691000008 (1)
REV. F



NOTE: Modbus and or Cascade field wiring must utilize twisted pair shielded cable. For multi boiler installations, JUMPER the field Modbus and or Cascade shield connection " TB1-18 and or TB1-24" to PNL ground in Master boiler TB1 terminal box. Do not ground shield to any other boiler or piece of equipment. Shield should be continuous from beginning to end with a ground connection in the master boiler only.



Patterson-Kelley, LLC
 East Stroudsburg, PA 18301
 570-476-7261
 www.pattersonkelley.com

IF ANY OF THE ORIGINAL WIRE SUPPLIED WITH THIS BOILER MUST BE REPLACED, IT MUST BE REPLACED WITH THE SAME UL WIRE TYPE.

STORM BOILERS 208-240 V WITH NURO® CONTROL

269100008 (2)
 REV. F