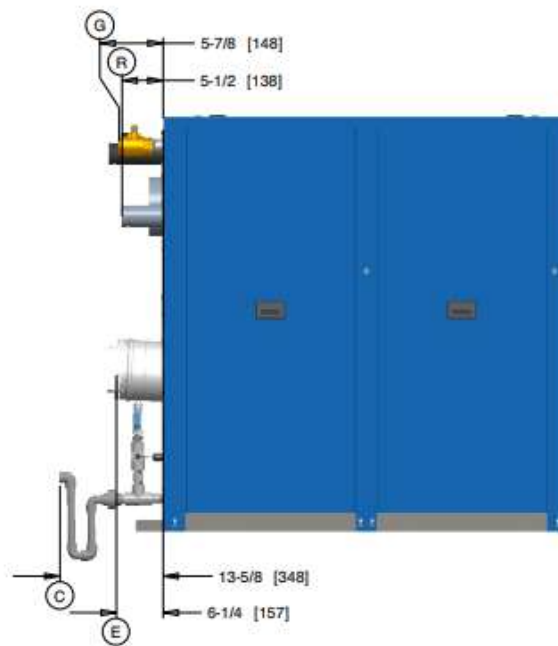
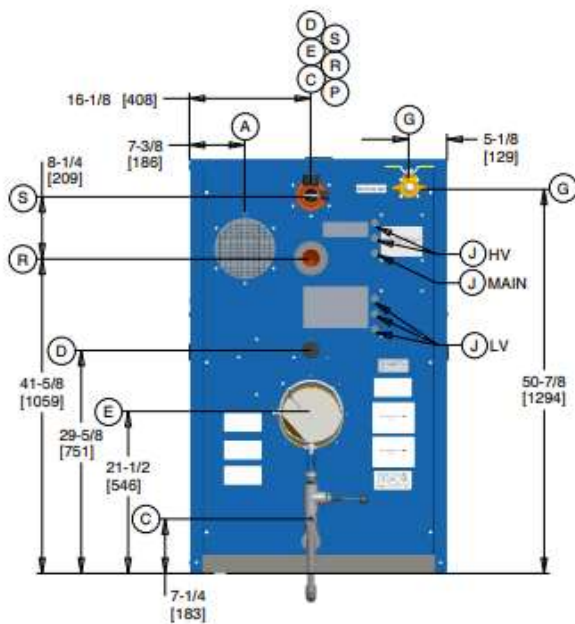
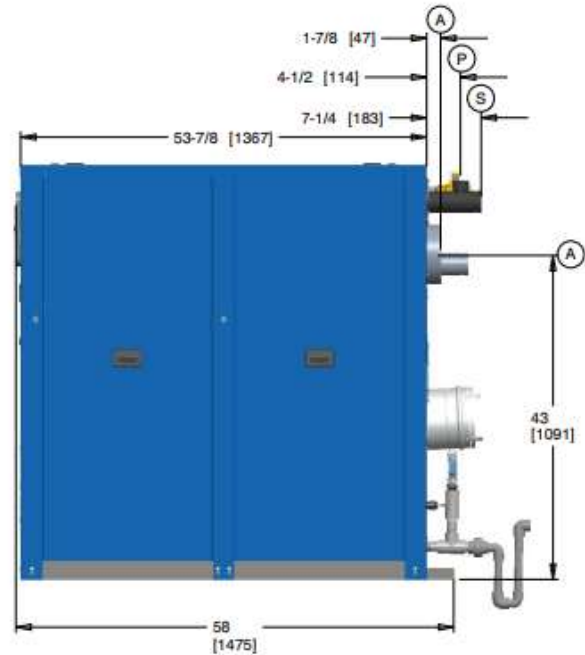


P-K STORM™

MODELS ST-1250, ST-1500, ST-1750, & ST-2000



Patterson-Kelley



BOILER CONNECTIONS

A	Combustion Air Inlet	8" dia. stub
C	Condensate Drain	3/4" hose
E	Exhaust Vent	8"
G	Natural Gas	1 1/2" NPT-F
	Wiring Junction Boxes	Inside cabinet
P	Pressure Relief Valve	See list for options
R	Boiler Return, Victaulic® clamp	2 1/2" pipe, grooved
S	Boiler Supply, Victaulic® clamp	2 1/2" pipe, grooved
	Anchor Bolt Locations	(4) 9/16" Bolt Holes (2 inside cabinet)

P-K STORM™

MODELS ST-1250, ST-1500, ST-1750, & ST-2000



Patterson-Kelley

MODEL SELECTION				
Boilers	<input type="checkbox"/> ST-1250	<input type="checkbox"/> ST-1500	<input type="checkbox"/> ST-1750	<input type="checkbox"/> ST-2000
Fuel Options	<input type="checkbox"/> NG			
Min Inlet Gas Pressure	3.5" w.c.			
Max Inlet Gas Pressure	14" w.c.			
Max Input (BTU/hr)	1,250,000	1,500,000	1,750,000	2,000,000
Max Output (BTU/hr)	1,212,500	1,455,000	1,697,500	1,940,000
Boiler HP	36	43	50	58
Min Input (BTU/hr)	125,000	150,000	175,000	200,000
Min Output (BTU/hr)	120,625	144,750	168,875	193,000
Turndown Ratio	10:1			
Estimated Operating Weight	1112 lbs	1208 lbs	1305 lbs	1305 lbs
Shipping Weights	1070 lbs	1150 lbs	1220 lbs	1220 lbs
Shipping Dimensions	72"x38"x60" (LxWxH)			
Boiler Water Content	11 gal	12.9 gal	16.2 gal	16.2 gal
Power Supply	208/240V 1ph 60 Hz			
Operating Current	20 Amps			
Recommended Minimum Circuit Capacity	20 Amps			

A.S.M.E. SECTION IV DESIGN DATA	ST-1250	ST-1500	ST-1750	ST-2000
Max Pressure	160 PSIG			
Max Allowable Temperature	210°F			
Max Operating Temperature	200°F			
Heated Surface Area	100.17 ft ²	119.8 ft ²	153.19 ft ²	153.19 ft ²
Flow Rate @ 20°FΔT	120.6 GPM	146 GPM	170 GPM	194 GPM
Min Flow Rate @ All Firing Rates (Flow Switch Setting)	38 GPM	46 GPM	54 GPM	62 GPM

REQUIRED CLEARANCES FOR SERVICE ACCESS				
Front- 18"	Rear- 12"	Top- 0"	Left Side- 6"	Right Side- 0"

BOILER CONTROLS
ASME CSD-1 is standard
Complies with: GE GAP (IRI) guidelines GAP.4.1.0 and GAP.4.1.3
FM Global 6-4 Section 1.0
Main Gas Train with Dual Shut-Off
Integrated Boiler Control, NURO Series
Operating Thermostat, 42°-195°F (5.6°-91°C)
High Limit Thermostat, Manual Reset, 100°-197°F (38°-92°C)
High Exhaust Back Pressure Switch
LWCO/Flow Switch, Paddle Type & LWCO, Probe Type
Combustion Air Proving Switch, Differential Pressure Type
Combustion Blower, Variable Speed, 1625 Watt

PRESSURE RELIEF VALVE/PRESSURE-TEMPERATURE GAUGE	
Shipped Loose for Field Installation	
<input type="checkbox"/> 30 PSIG 1-1/2" x 2"	0-100 psi/30-240°F
<input type="checkbox"/> 50 PSIG 1-1/4" x 1-1/4"	0-100 psi/30-240°F
<input type="checkbox"/> 60 PSIG 1-1/4" x 1-1/4"	0-100 psi/30-240°F
<input type="checkbox"/> 75 PSIG 1-1/4" x 1-1/4"	0-100 psi/30-240°F
<input type="checkbox"/> 80 PSIG 1-1/4" x 1-1/4"	0-100 psi/30-240°F
<input type="checkbox"/> 100 PSIG 1" x 1-1/4"	0-100 psi/30-240°F
<input type="checkbox"/> 125 PSIG 1" x 1"	0-100 psi/30-240°F
<input type="checkbox"/> 150 PSIG 1" x 1"	0-100 psi/30-240°F