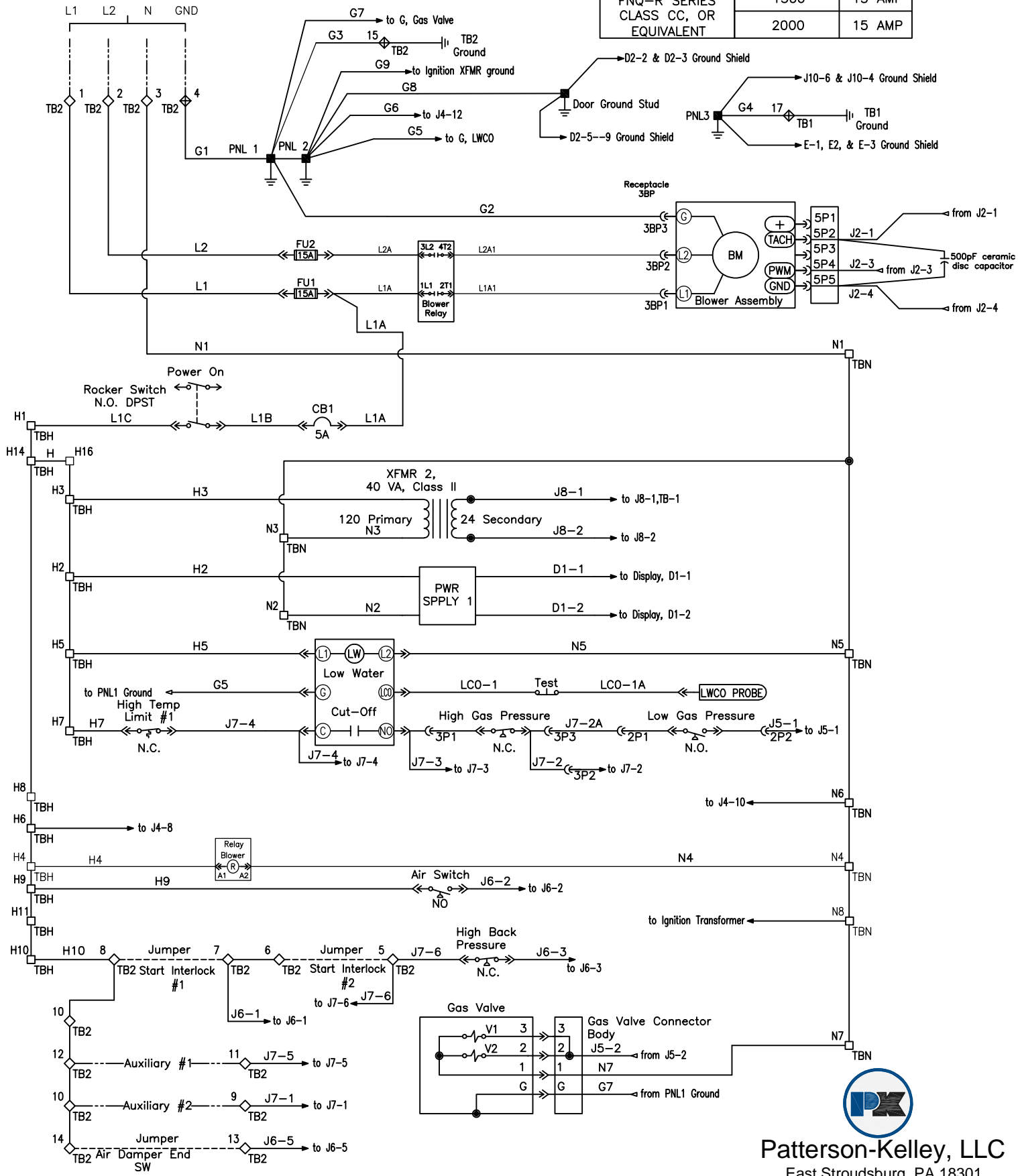


SUPPLY BY OTHERS,  
BRANCH CIRCUIT, 20 AMPS  
208-240 VAC 1Ø 60 HZ

FUSES FU1 AND FU2 ARE BUSSMAN FNQ-R SERIES CLASS CC, OR EQUIVALENT	SOLIS MODELS	FUSE SIZE
	1500	15 AMP
	2000	15 AMP

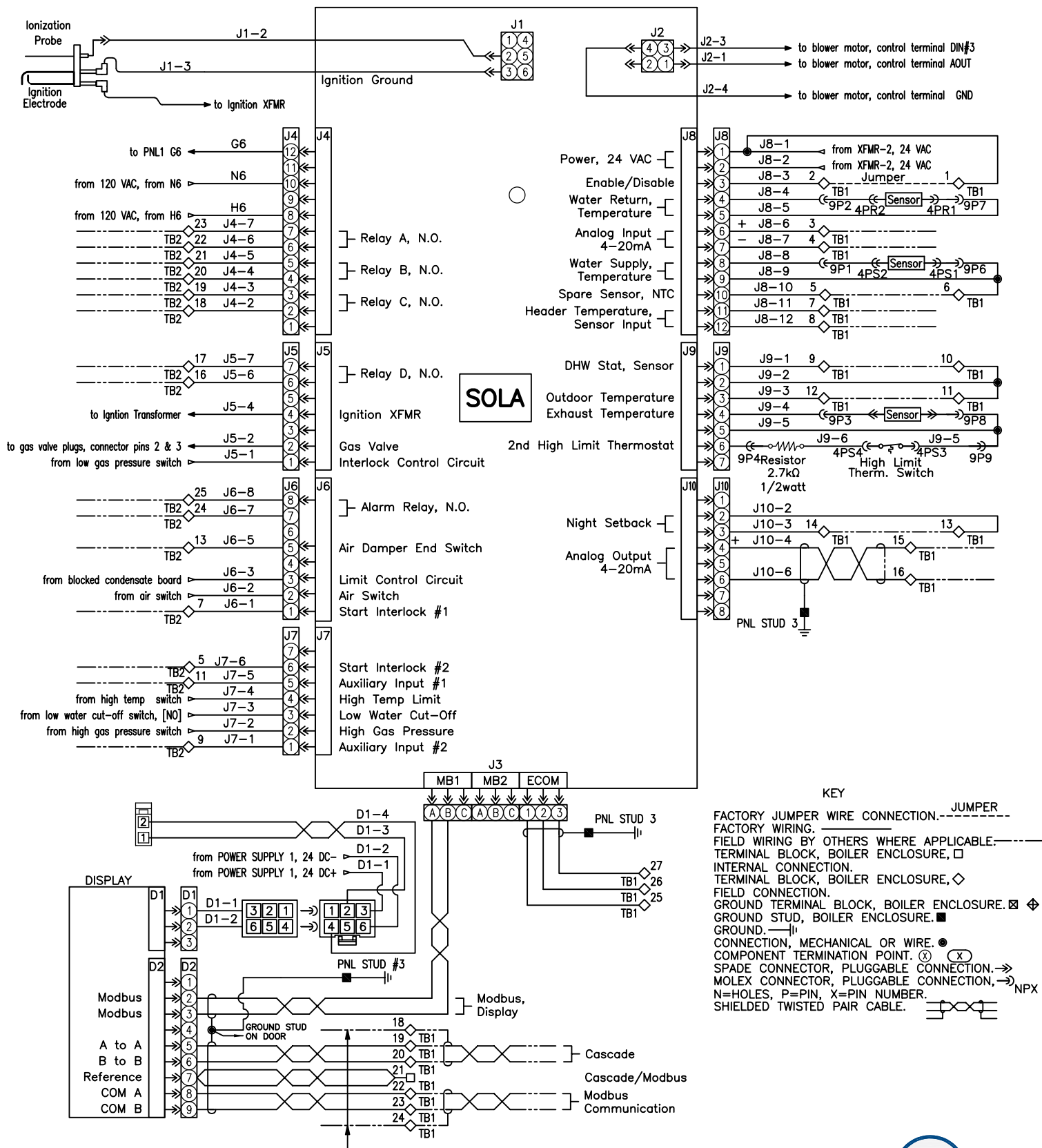


**Patterson-Kelley, LLC**  
 East Stroudsburg, PA 18301  
 570-476-7261  
 www.pattersonkelley.com

IF ANY OF THE ORIGINAL WIRE SUPPLIED WITH THIS BOILER MUST BE REPLACED, IT MUST BE REPLACED WITH THE SAME UL WIRE TYPE.

**SL1500&2000 208-240 V  
 WITH NURO® CONTROL**

2701000045 (1)  
 REV. E



**NOTE:** Modbus and or Cascade field wiring must utilize twisted pair shielded cable. For multi boiler installations, JUMPER the field Modbus and or Cascade shield connection" TB1-18 and or TB1-24" to PNL ground in Master boiler TB1 terminal box. Do not ground shield to any other boiler or piece of equipment. Shield should be continuous from beginning to end with a ground connection in the master boiler only.



**Patterson-Kelley, LLC**  
 East Stroudsburg, PA 18301  
 570-476-7261  
 www.pattersonkelley.com

IF ANY OF THE ORIGINAL WIRE SUPPLIED WITH THIS BOILER MUST BE REPLACED, IT MUST BE REPLACED WITH THE SAME UL WIRE TYPE.

**SL1500&2000 208-240 V WITH NURO® CONTROL**

2701000045 (2)  
 REV. E