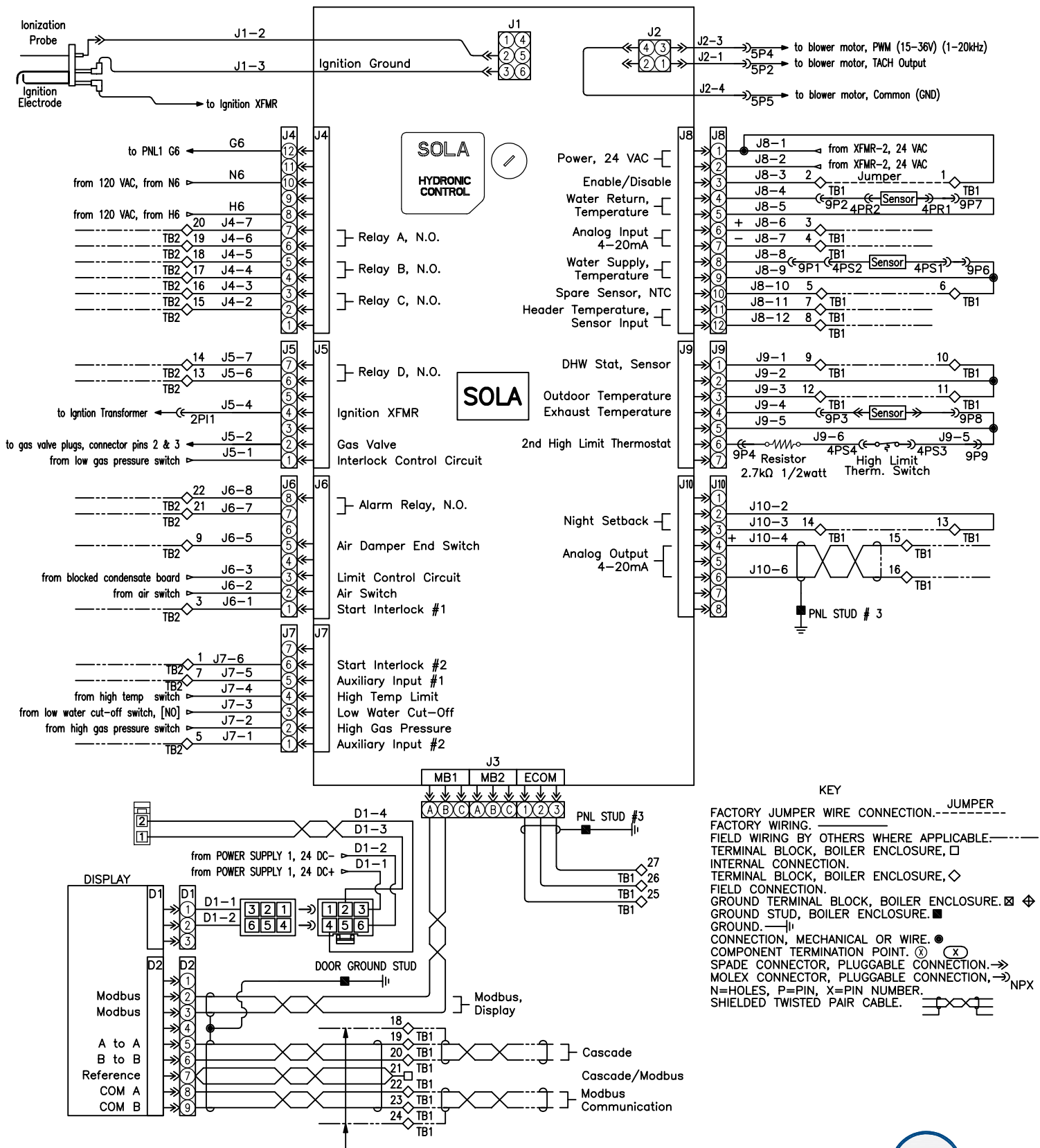


Patterson-Kelley, LLC
 East Stroudsburg, PA 18301
 570-476-7261
 www.pattersonkelley.com

IF ANY OF THE ORIGINAL WIRE SUPPLIED WITH THIS BOILER MUST BE REPLACED, IT MUST BE REPLACED WITH THE SAME UL WIRE TYPE.

**SL2500 - SL3000 208-240 V
 WITH NURO[®] CONTROL**

2701000070 (1)
 REV. D



NOTE:
 Modbus and or Cascade field wiring must utilize twisted pair shielded cable. For multi boiler installations, JUMPER the field Modbus and or Cascade shield connection "TB1-18 and or TB1-24" to PNL ground in Master boiler TB1 terminal box. Do not ground shield to any other boiler or piece of equipment. Shield should be continuous from beginning to end with a ground connection in the master boiler only.



IF ANY OF THE ORIGINAL WIRE SUPPLIED WITH THIS BOILER MUST BE REPLACED, IT MUST BE REPLACED WITH THE SAME UL WIRE TYPE.

SL2500 - SL3000 208-240 V WITH NURO® CONTROL

270100070 (2) REV. D