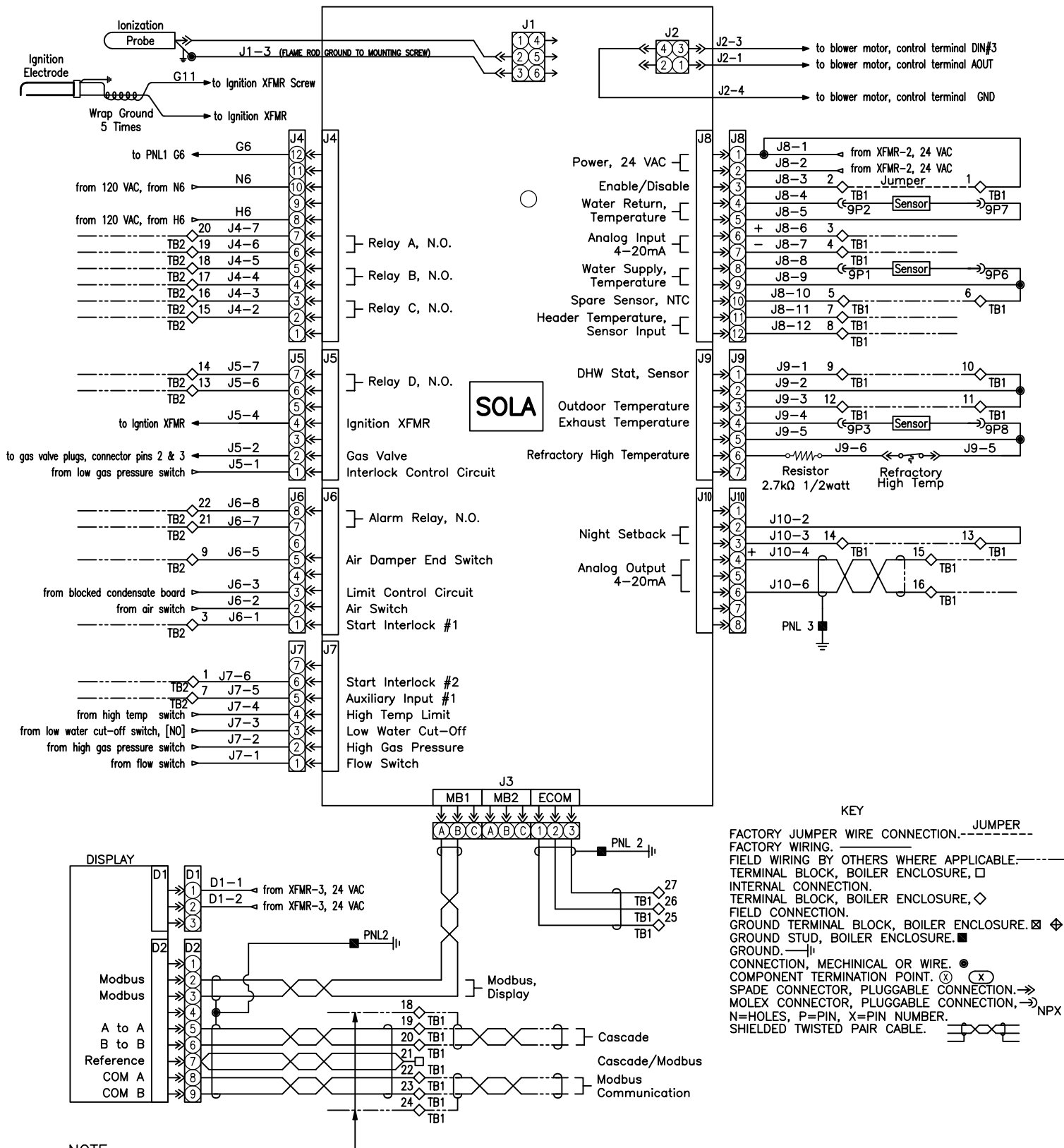


IF ANY OF THE ORIGINAL WIRE SUPPLIED WITH THIS BOILER MUST BE REPLACED, IT MUST BE REPLACED WITH THE SAME UL WIRE TYPE.

**ST2500 - ST4000 480V WITH NURO® CONTROL**

2691000187(1)  
REV. F

**Patterson-Kelley, LLC**  
East Stroudsburg, PA 18301  
570-476-7261  
www.pattersonkelley.com



**NOTE:**  
 Modbus and or Cascade field wiring must utilize twisted pair shielded cable. For multi boiler installations, JUMPER the field Modbus and or Cascade shield connection "TB1-18 and or TB1-24" to PNL ground in Master boiler TB1 terminal box. Do not ground shield to any other boiler or piece of equipment. Shield should be continuous from beginning to end with a ground connection in the master boiler only.



**Patterson-Kelley, LLC**  
 East Stroudsburg, PA 18301  
 570-476-7261  
 www.pattersonkelley.com

IF ANY OF THE ORIGINAL WIRE SUPPLIED WITH THIS BOILER MUST BE REPLACED, IT MUST BE REPLACED WITH THE SAME UL WIRE TYPE.

**ST2500 - ST4000 480V WITH NURO® CONTROL**

**2691000187 (2) REV. F**