

FUSES ARE BUSSMAN FNQ-R CLASS CC ONLY

FUSE NAME	FUSE SIZE
FU1, FU2, & FU3	30 AMP
FU4 & FU5	3 AMP
FU6	5 AMP

NOTE: Secondary side of XFMR1 should be wired to X1 and X3 for 240V supply. For supply voltage below 220V, X3 wiring should be move to X4.

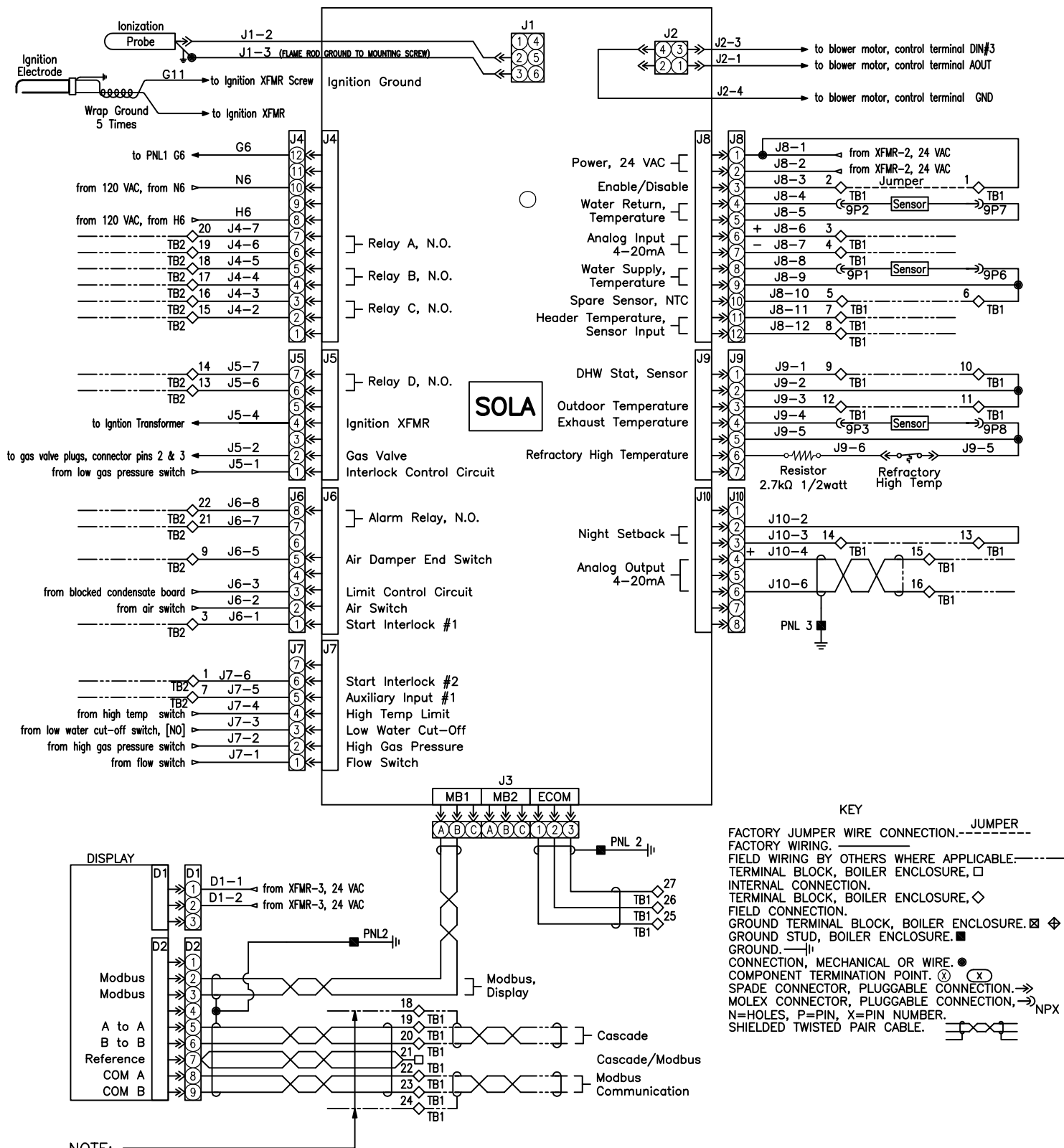


Patterson-Kelley, LLC
 East Stroudsburg, PA 18301
 570-476-7261
 www.pattersonkelley.com

IF ANY OF THE ORIGINAL WIRE SUPPLIED WITH THIS BOILER MUST BE REPLACED, IT MUST BE REPLACED WITH THE SAME UL WIRE TYPE.

ST2500 - ST4000 208-240 V WITH NURO® CONTROL

2691000186 (1)
 REV. E



NOTE:
 Modbus and or Cascade field wiring must utilize twisted pair shielded cable. For multi boiler installations, JUMPER the field Modbus and or Cascade shield connection "TB1-18 and or TB1-24" to PNL ground in Master boiler TB1 terminal box. Do not ground shield to any other boiler or piece of equipment. Shield should be continuous from beginning to end with a ground connection in the master boiler only.



Patterson-Kelley, LLC
 East Stroudsburg, PA 18301
 570-476-7261
 www.pattersonkelley.com

IF ANY OF THE ORIGINAL WIRE SUPPLIED WITH THIS BOILER MUST BE REPLACED, IT MUST BE REPLACED WITH THE SAME UL WIRE TYPE.

**ST2500 - ST4000 208-240 V
 WITH NURO® CONTROL**

2691000186 (2)
 REV. E