

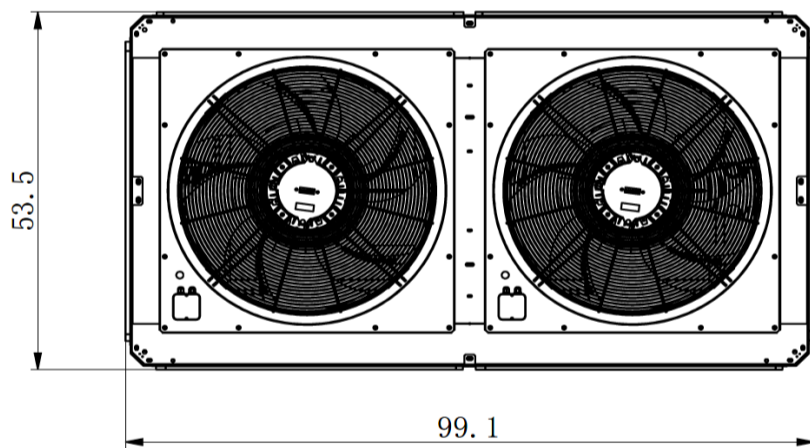
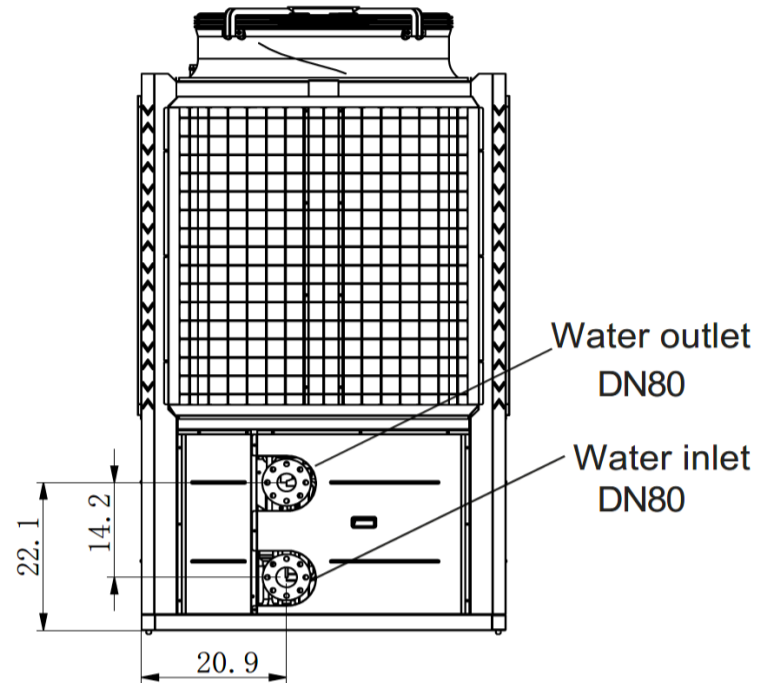
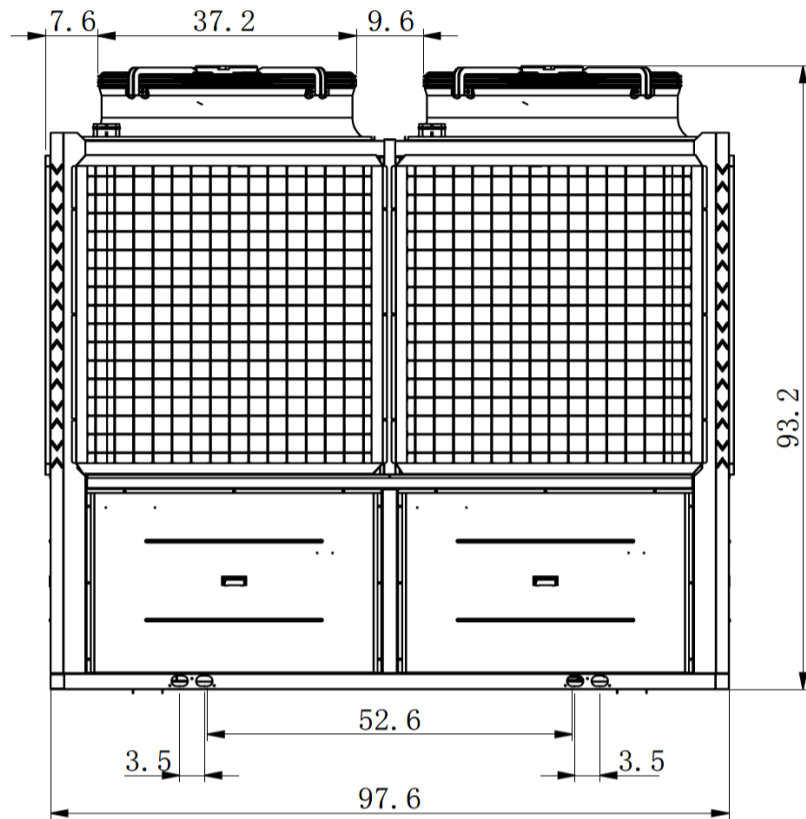
Rep Name: _____

Email: _____

Phone Number: _____

Date: / / /

HP700



Primary dimensions are in inches.

Heat Pump Model - HP700		
* Heating Capacity Range	kW	69.6 - 239.8
	BTU/hr	237,485 - 818,231
	COP	1.46 - 3.52
**Heating Capacity Range	kW	105.9 - 186.1
	BTU/hr	361,345 - 635,000
	COP	1.75 - 3.18
Turndown Ratio		4:1
Shipping Weight		2508Lbs
Heat Pump Dimensions	(in)	99.1"x53.5"x93.2" (LxWxH)
***Power Supply		440-460V/3N~/60Hz
Current (MCA)		169 Amps
Flow Rate @ 20°ΔT	GPM	85.3
Minimum Required ΔT		9°F

*Heating: ambient temp.(db): -20°F to 70°F, Water temp.(out): 120F
 **Heating: ambient temp.(db): -15°F to 70°F, water temp.(out): 140°F
 *** A transformer must be used to step down 480v to 440-460
 Cooling: ambient temp.(db/wb): 95°F,water temp.(in/out):55°F/ 45°F