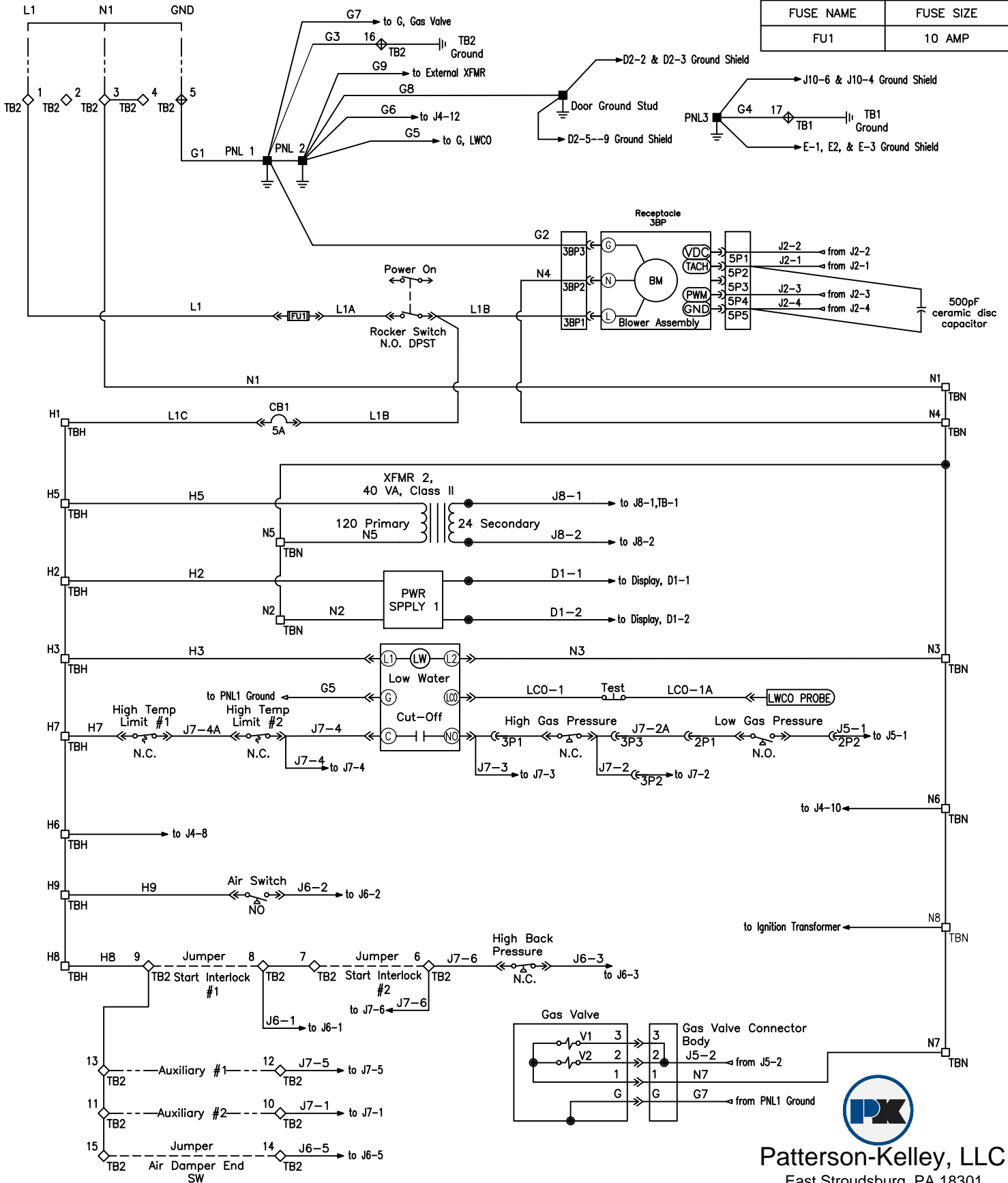


SUPPLY BY OTHERS,
BRANCH CIRCUIT, 15 AMPS
120 VAC 1 ϕ 60 HZ

FUSES ARE BUSSMAN FNQ-R CLASS CC ONLY	
FUSE NAME	FUSE SIZE
FU1	10 AMP

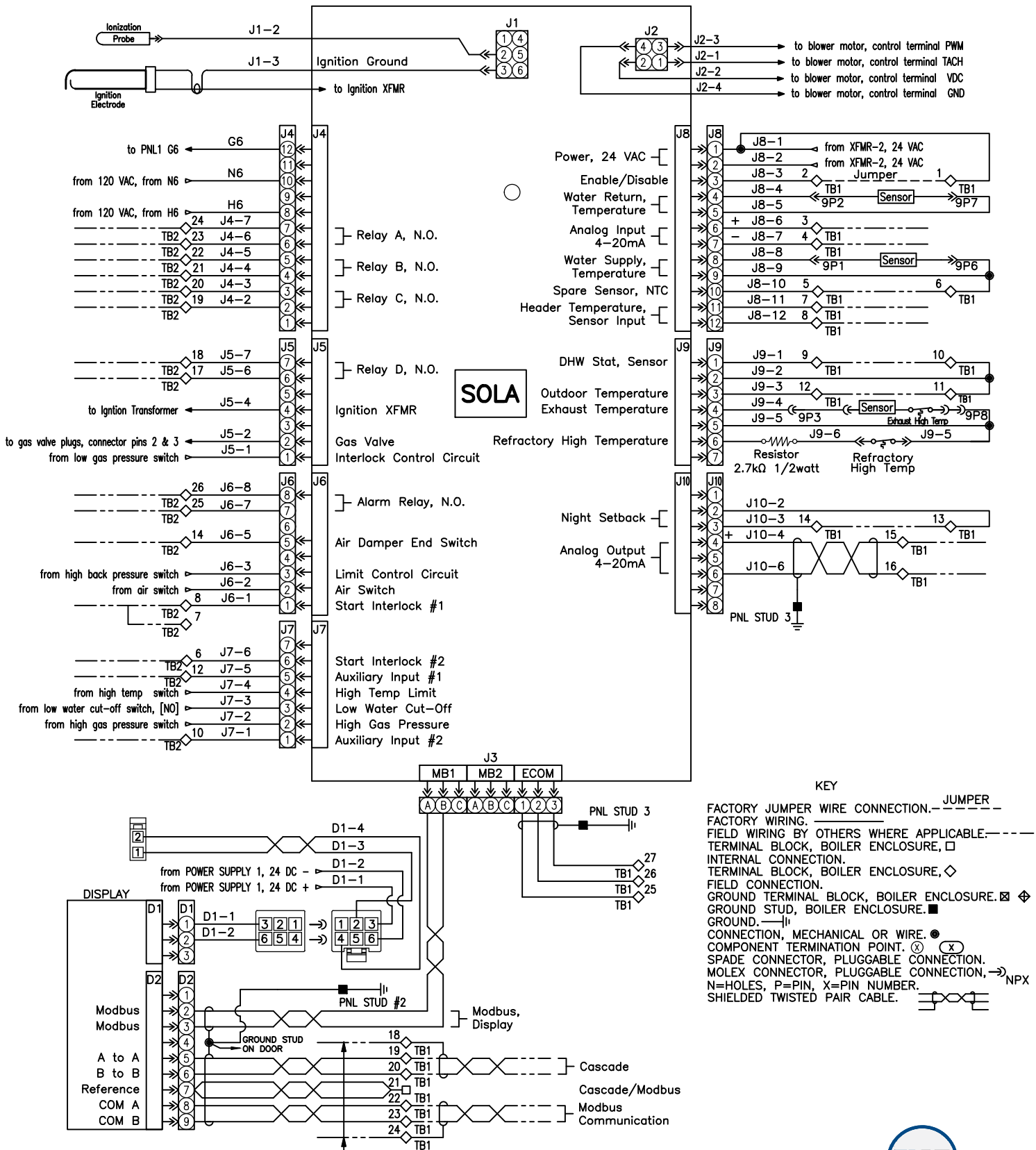


Patterson-Kelley, LLC
East Stroudsburg, PA 18301
570-476-7261
www.pattersonkelley.com

IF ANY OF THE ORIGINAL WIRE SUPPLIED WITH THIS BOILER MUST BE REPLACED, IT MUST BE REPLACED WITH THE SAME UL WIRE TYPE.

**SOLIS 1000 120V
WITH NURO® CONTROL**

2701000172 (1)
REV. A



Patterson-Kelley, LLC
 East Stroudsburg, PA 18301
 570-476-7261
 www.pattersonkelley.com

IF ANY OF THE ORIGINAL WIRE SUPPLIED WITH THIS BOILER MUST BE REPLACED, IT MUST BE REPLACED WITH THE SAME UL WIRE TYPE.

**SOLIS 1000 120V
 WITH NURO® CONTROL**

2701000172 (2)
 REV. A