

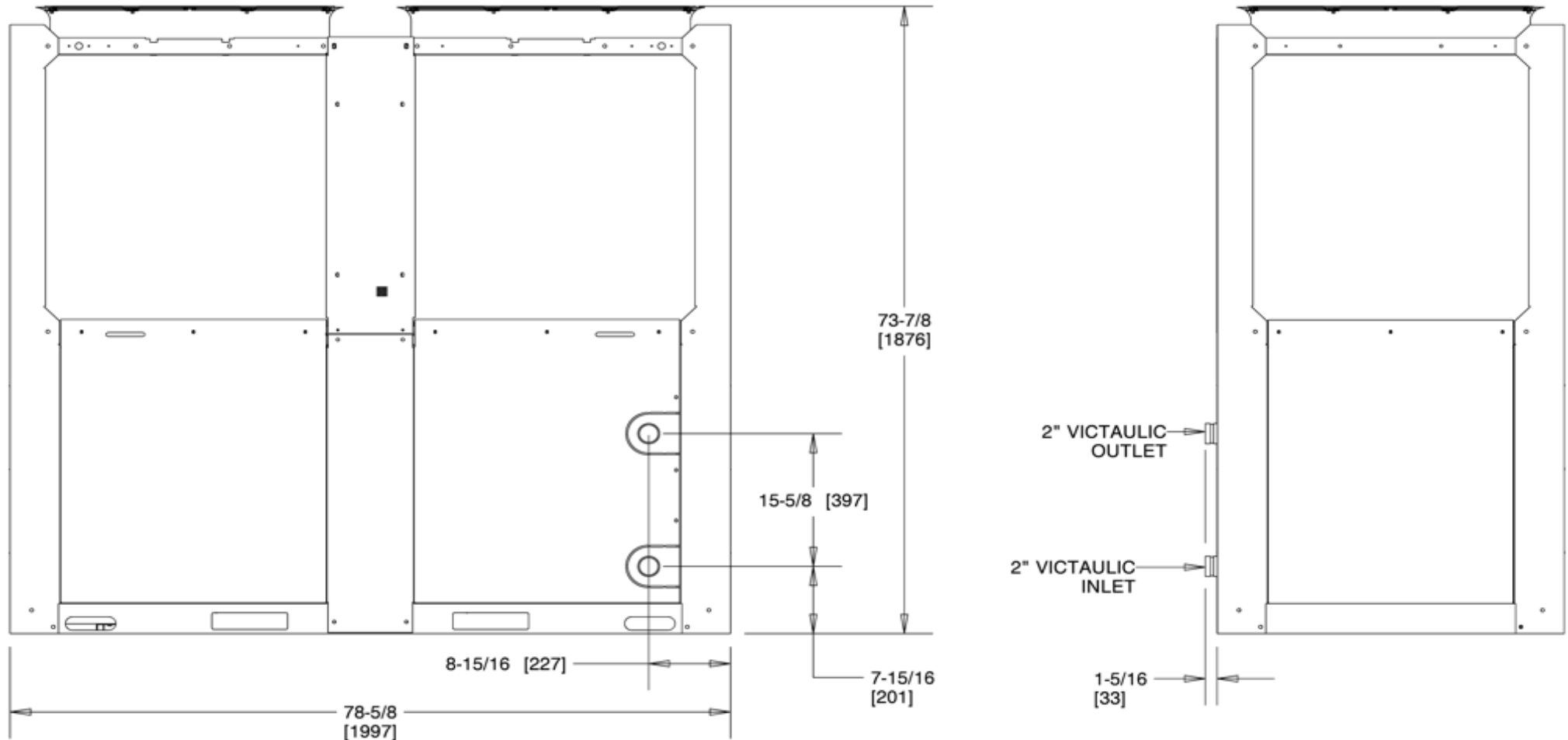
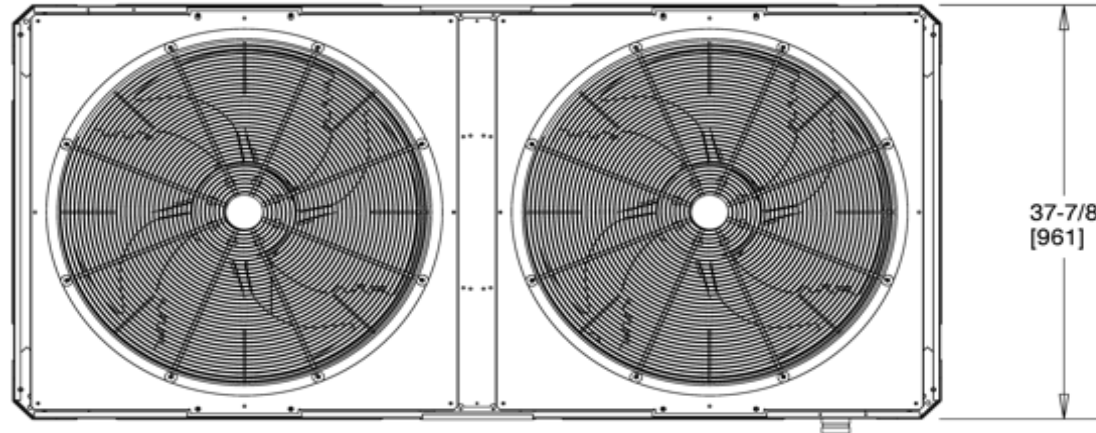
Rep Name: \_\_\_\_\_

Email: \_\_\_\_\_

Phone Number: \_\_\_\_\_

Date:            /            /            /

## HP250



Primary dimensions are in inches.

Heat Pump Model – HP250		
Heating Capacity Range	kW	41 - 70
	BTU/hr	139,897 - 255,849
	COP	1.3 - 3.95
Supply Water Temperature Range	°F	77 - 149
Ambient Temperature Range	°F	-22 - 118
Turndown Ratio		4:1
Inlet/Outlet diameter	in	2
Shipping Weight	lbs	1192
Shipping Dimensions	in	80x40x76 (LxWxH)
Power Supply		208-230 V 3~ 60Hz (4-wire)
Sound Pressure	dB(A)	69.5
Current (Max)	A	46
Current (MCA)	A	103
Flow Rate @ 10°ΔT	GPM	47
	psi	7.5
Minimum Required ΔT	°F	9